



## **Super Shot Adjustable Basketball System**

**Model: GP5A48**



### **Installation, Operation and Maintenance Instructions**

**Please read all instructions before attempting installation or operation of these units**

**SAVE THESE INSTRUCTIONS FOR FUTURE USE**

PUBLICATION No.  
4 5 1 7 5 4 5 9



# Super Shot Adjustable Basketball System



## *Table of Contents*

<b><u>Section</u></b>	<b><u>Page No.</u></b>
Introduction	2
Cautions and Warnings	2
Parts Checklist	3
Assembly and Setup	4-14



## Introduction

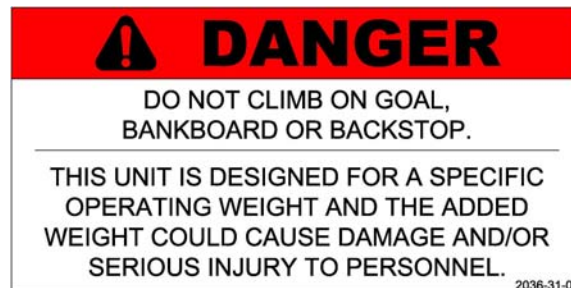
Thank you for your purchase of the Super Shot Fixed Basketball System. To ensure that our equipment will provide years of use to you, we are including this installation, operation, and maintenance guide. This guide will provide information on the proper assembly and installation methods, operating procedures, and preventative maintenance of your basketball system.

Please note that a Bill of Materials is being included with this guide. Please check that all of the parts called out on the Bill of Materials are present prior to beginning assembly and setup. Please do not substitute for factory parts. Please contact your dealer or Gared or Performance Sports Systems customer service department and allow them to determine if substitute parts are acceptable.

It is recommended that an individual who has been properly trained perform assembly and set up of the backstop. No one under the age of 18 should attempt assembly or set up of the unit, unless properly supervised.

To prevent normal wear and tear from shortening the life of the unit, preventative maintenance inspections and repairs should be performed at least once per year. If the units are subject to high or unusual usage, inspections should be scheduled to occur more frequently. If items are found to be nonconforming, replacements can be ordered from Gared, Performance Sports Systems, or one of our authorized dealers. When contacting Gared or PSS, please have information regarding the dealer/installer who sold the unit, the name of the project, and any applicable warranty information.

Read and understand the following warnings to prevent possible personal injury and potential damage to the equipment during assembly, setup, and operation.



**Before proceeding with assembly, read all instructions and assembly procedures. Make sure all parts have been received and are not damaged.**



# Super Shot Adjustable Basketball System



## Parts Checklist

Verify all parts listed on packing list are present prior to installation.

### **The following parts have been packed separately**

Please refer to your packing slip to verify the correct board and goal has been received.

Item	Description	Qty
1	4" x 4" Pole with welded base	1
2	5/8" dia. x 16" J-Bolts	4
3	J-Bolt Template plate	1
4	36" long rebar	4
5	Actuator bracket	1
6	Upper pivot arm	2
7	Lower pivot arm	2
8	Screw type actuator	1
9	Height adjustment crank	1
10	Backboard 42" wide x 36" high	1
11	Rim (726 Super goal)	1
12	Net	1
<b>Template Hardware</b>		
13	5/8" dia. x 2-1/2" Nut coupler	1
14	5/8" dia. x 1-1/2" Hex bolt	1
15	5/8" dia. x Hex nut	8
<b>Base Plate Hardware</b>		
16	5/8" dia. Flange nut	4
17	5/8" dia. Flat washer	4
18	5/8" dia. Lock washers	4
<b>Actuator Bracket Hardware</b>		
19	5/8" dia. U-Bolts	3
20	5/8" dia. Flat washer	6
21	5/8" dia. Lock washer	6
22	5/8" dia. Nuts	6
<b>Screw Actuator Hardware</b>		
23	12mm x 120mm Hex bolt (4-3/4" long)	1
24	12mm Hex nut	1
25	Flat washer	2
26	Lock washer	1
<b>Pivot Arm Hardware</b>		
27	14mm x 250mm Hex bolts (9-13/16" long)	3
28	14mm Nuts	3
29	Large PVC Washer	4
30	Flat washer	6
31	Lock washer	3
32	Steel sleeve 3/4" o.d. x 6-5/8" long (for upper pivot arm)	1



## Super Shot Adjustable Basketball System



<b>Backboard Hardware</b>		
33	Board mounting bracket	4
34	5/16" dia. x 2" Hex head bolt	8
35	5/16" dia. Nylon lock nut	8
36	3/4" dia. Bushing (for mounting rim)	4
<b>Rim Hardware</b>		
37	3/8" dia. x 2" Hex bolt	4
38	3/8" dia. Flat washer	8
39	3/8" dia. Lock washer	4
40	3/8" dia. Hex nut	4
41	#8 x 5/8" Sheet metal screw	4
<b>Accessories</b>		
42	Backboard padding (if purchased) with 6 mounting screws	1
43	Pole padding (if purchased)	1
44	Base padding (if purchased)	1

Contact Gared Customer Service at 800-325-2682 or PSS Customer Service at 800-848-8034 for assistance with replacement of any missing or damaged parts.

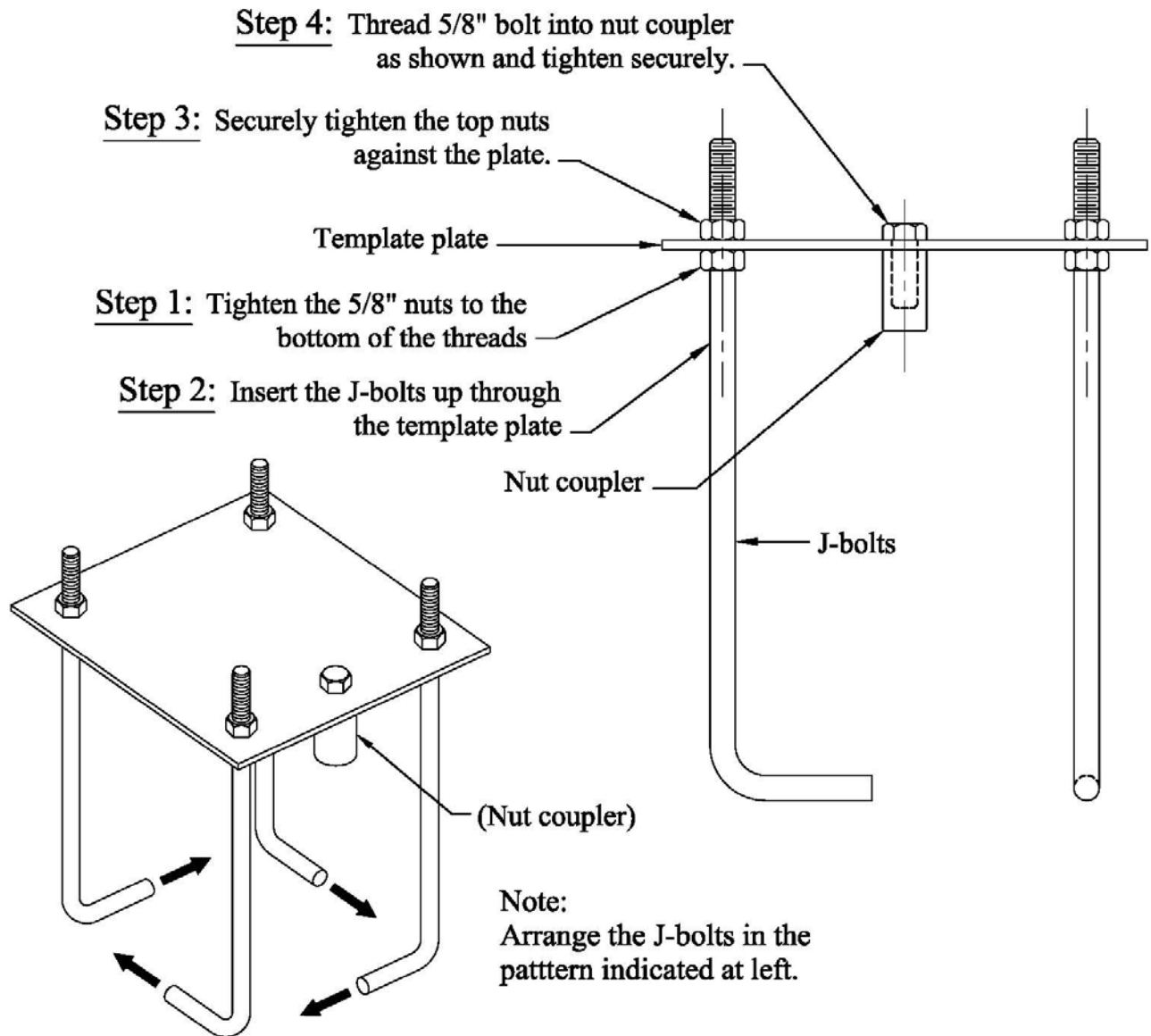
### Tools and Materials Required for Assembly:

1. 2 Adjustable Wrenches
2. Socket Set
3. 1/2" Wrench
4. 9/16" Wrench
5. 3/4" Wrench
6. 15/16" Wrench
7. Phillips Head Screwdriver
8. Electric Drill
9. 1/4" Drill Bit
10. Tape Measure
11. Hammer or Mallet
12. Shovel
13. Post Hole Digger
14. Carpenter's Level
15. 2 Ladders – minimum
16. Concrete – 1/2 yard or 14-16 bags (80 lb. bags)

## INSTALLATION INSTRUCTIONS

Use the illustration below to assemble the template plate and J-bolts

(Note: Find the template plate strapped to the base of the main support column.)  
Also find, (4) J-bolts, (8) 5/8" nuts, (1) 5/8" x 1-1/2" hex bolt and (1) nut coupler.

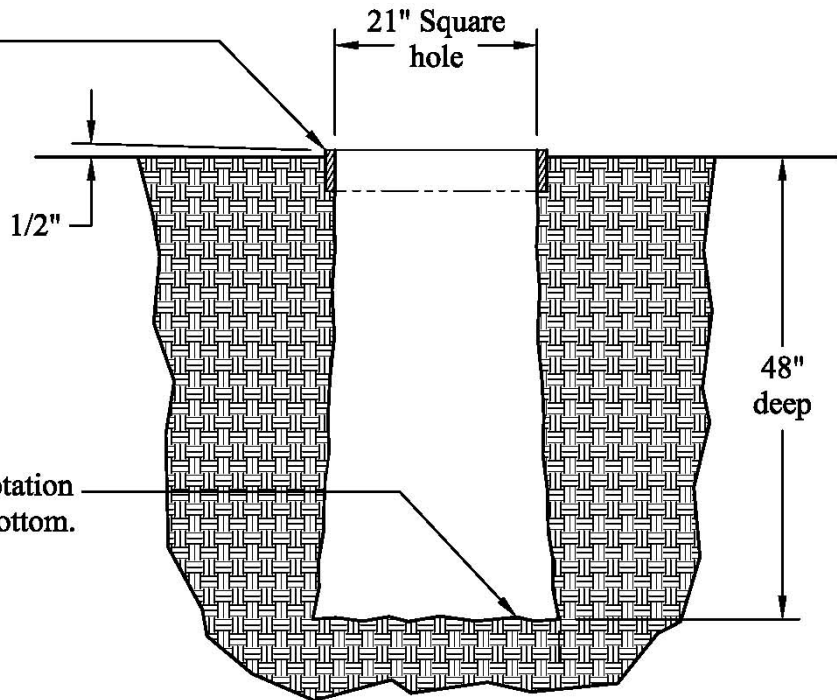


**Use the illustration below to dig and prepare the hole for casting and anchoring the template plate.**

It is recommended to build a form to keep the top of the concrete straight and square. Place the form about 1/2" above the playing surface to allow water drainage.

**Step 1. Dig hole.**

Hole should be square to prevent rotation and slightly wider at bottom.

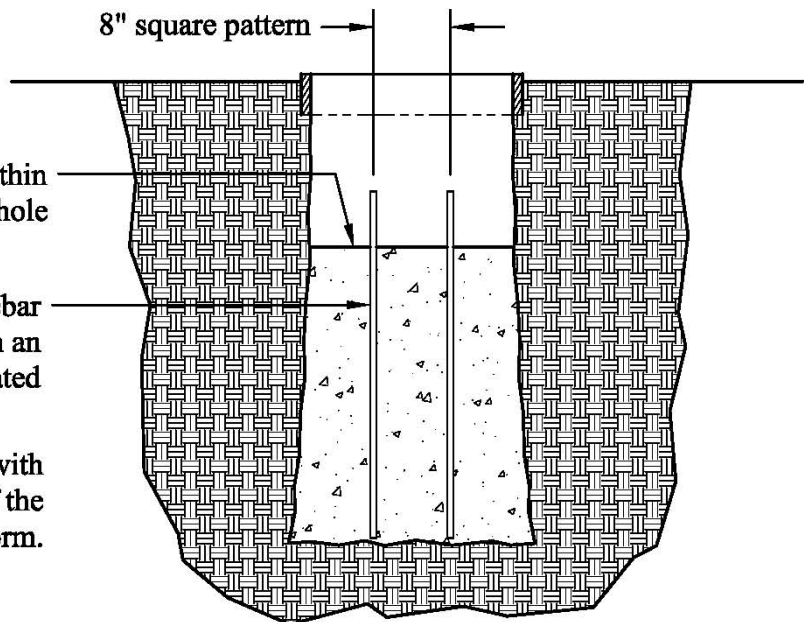


**Step 2. begin pour.**

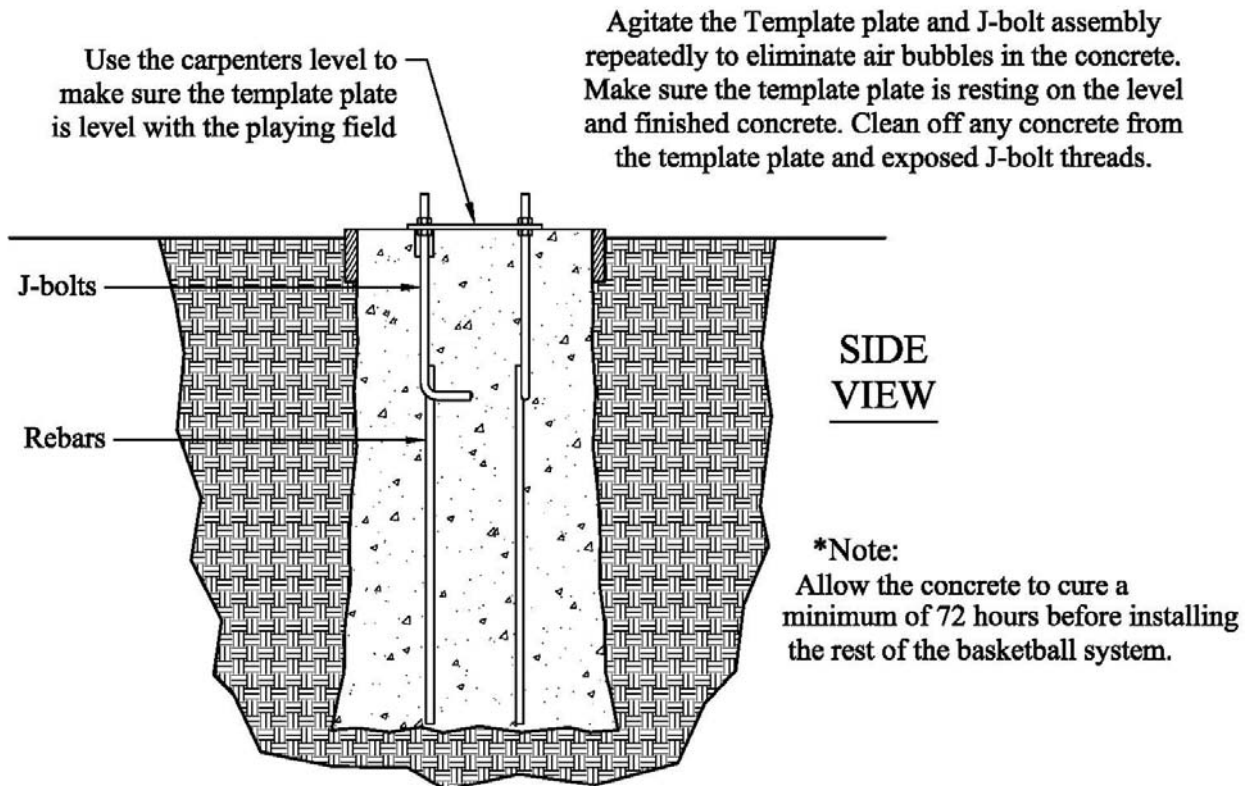
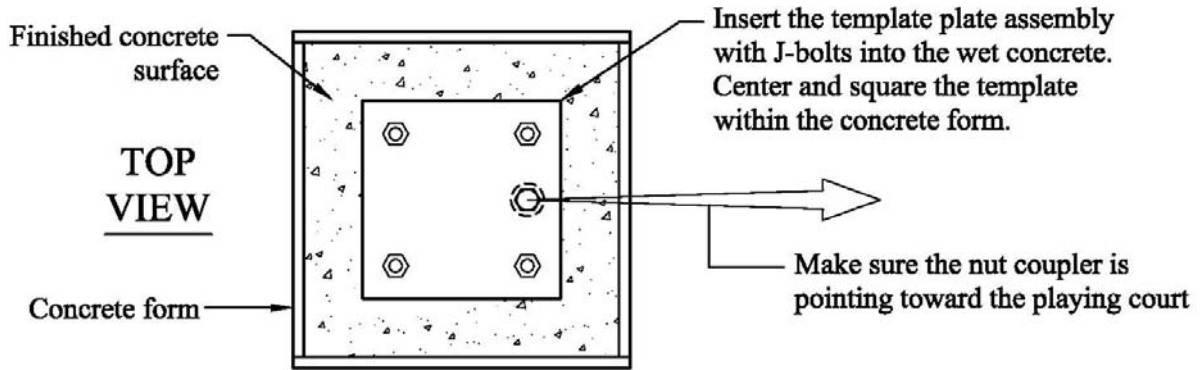
Mix and pour concrete to within 18" of the top of the hole

Insert the four 36" pieces of rebar to the bottom of the hole in an 8" square pattern as indicated

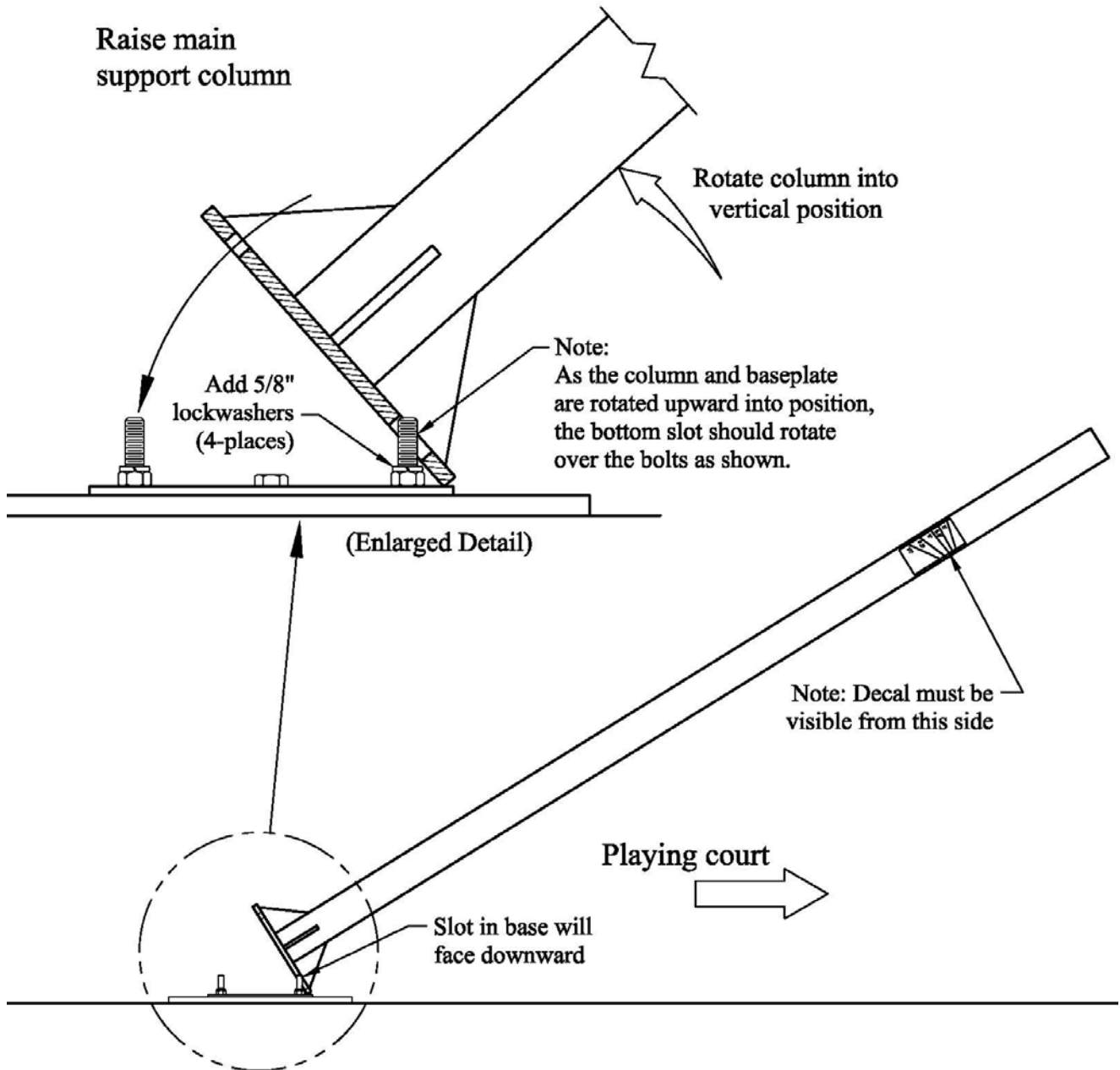
Finish filling the hole with concrete up the level of the top of the square form.



**Set the J-bolt assembly in the concrete as shown.  
Be sure the nut coupler is toward the playing area.**



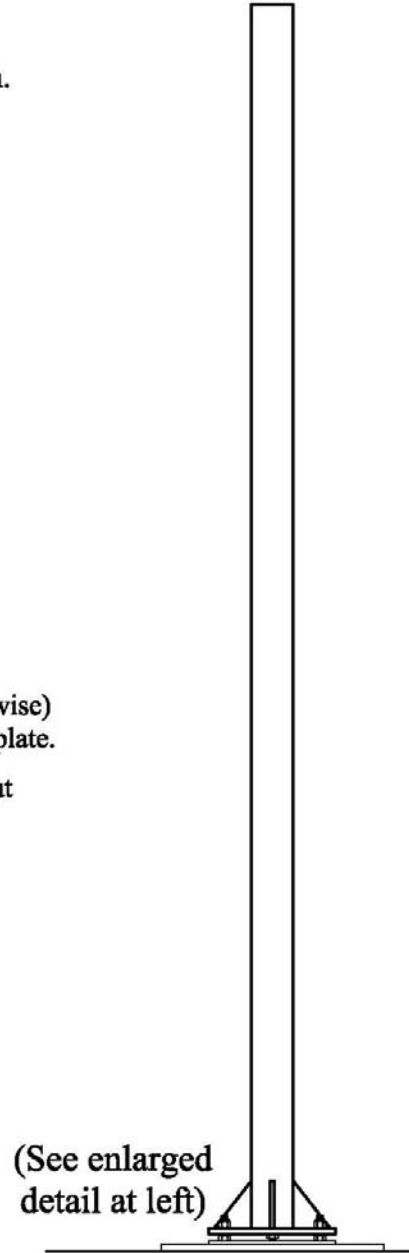
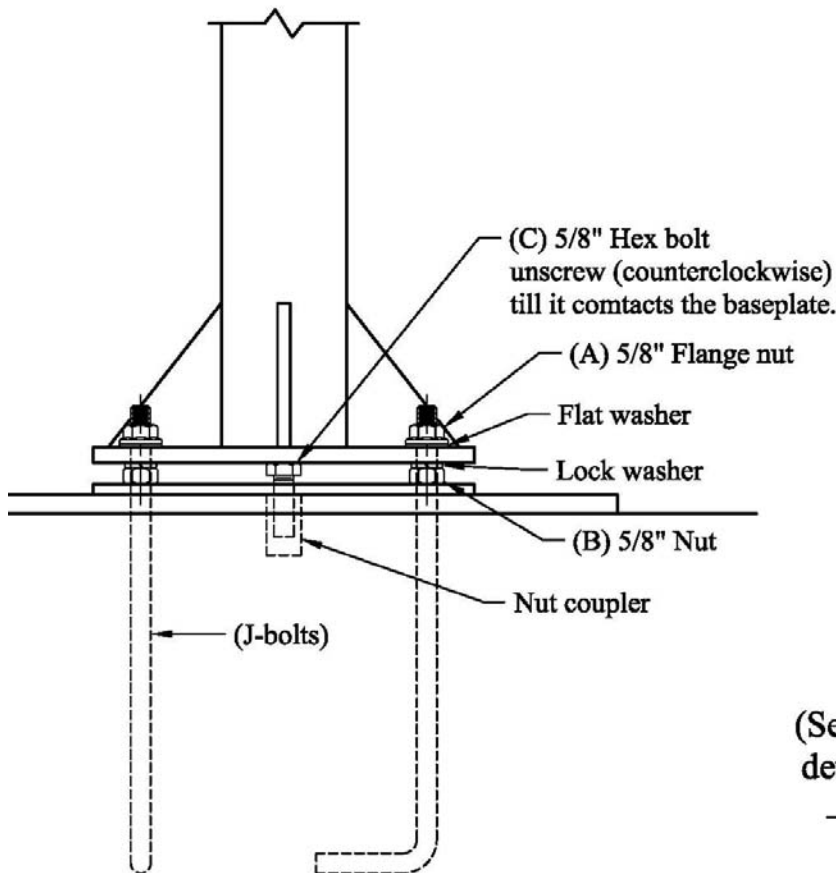
Use the following illustration to raise the main support column into position and complete the leveling process.  
2-people are recommended for this procedure.



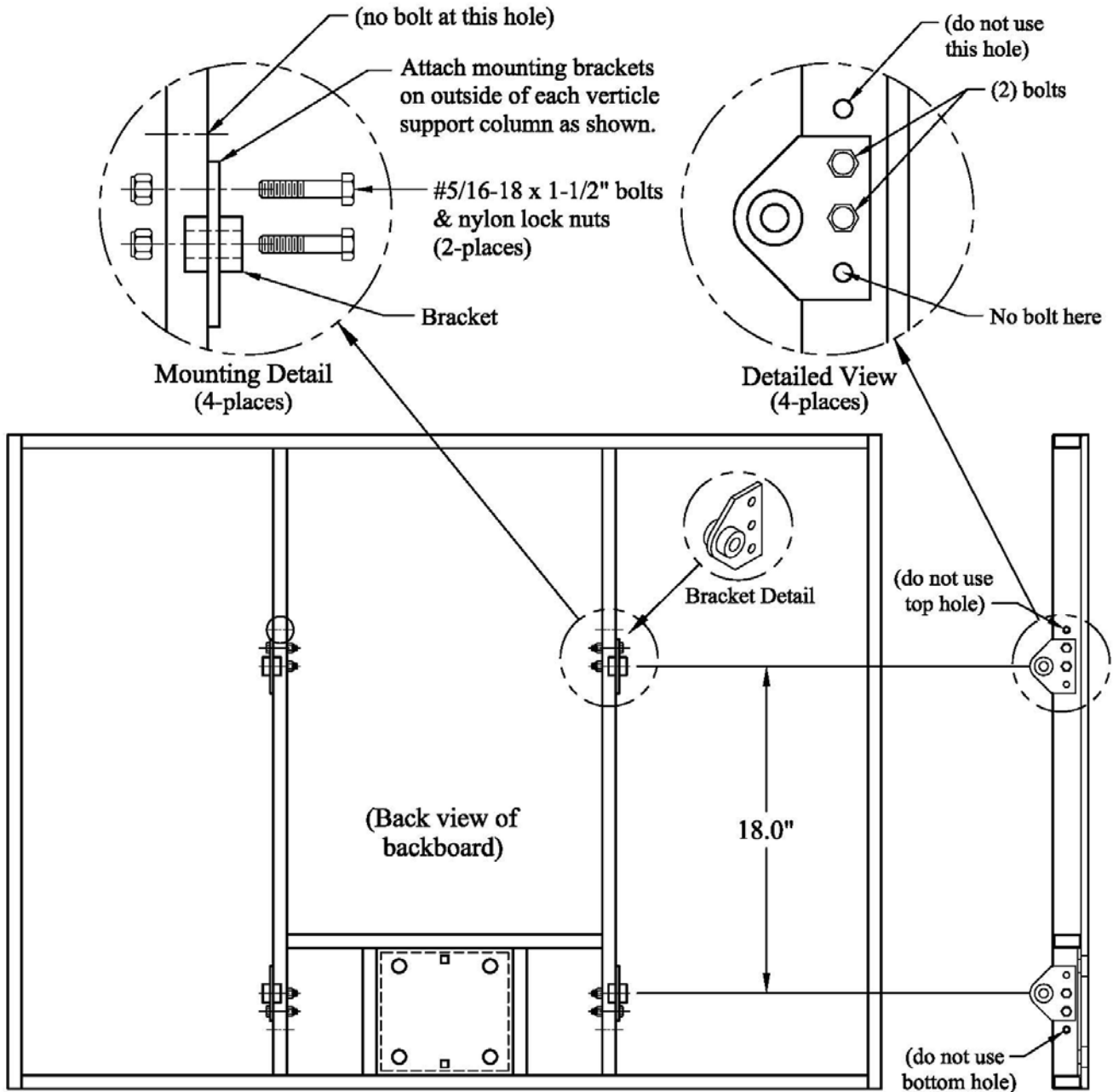
**The following illustration shows how to add the final nuts and washers to the base and how to level the main column.**

- Step 1: With column in upright position, add flat washers and flange nuts on top of each J-bolt.
- Step 2: Use level to make sure column is in vertical position.
- Step 3: If the angle of the post needs to be adjusted, loosen and tighten the flange nuts (A) and hex nuts (B) to achieve the needed results.
- Step 4: With column vertical, tighten all nuts. Now unscrew the 5/8" hex bolt (C) from the nut coupler until it is tight up against the baseplate.

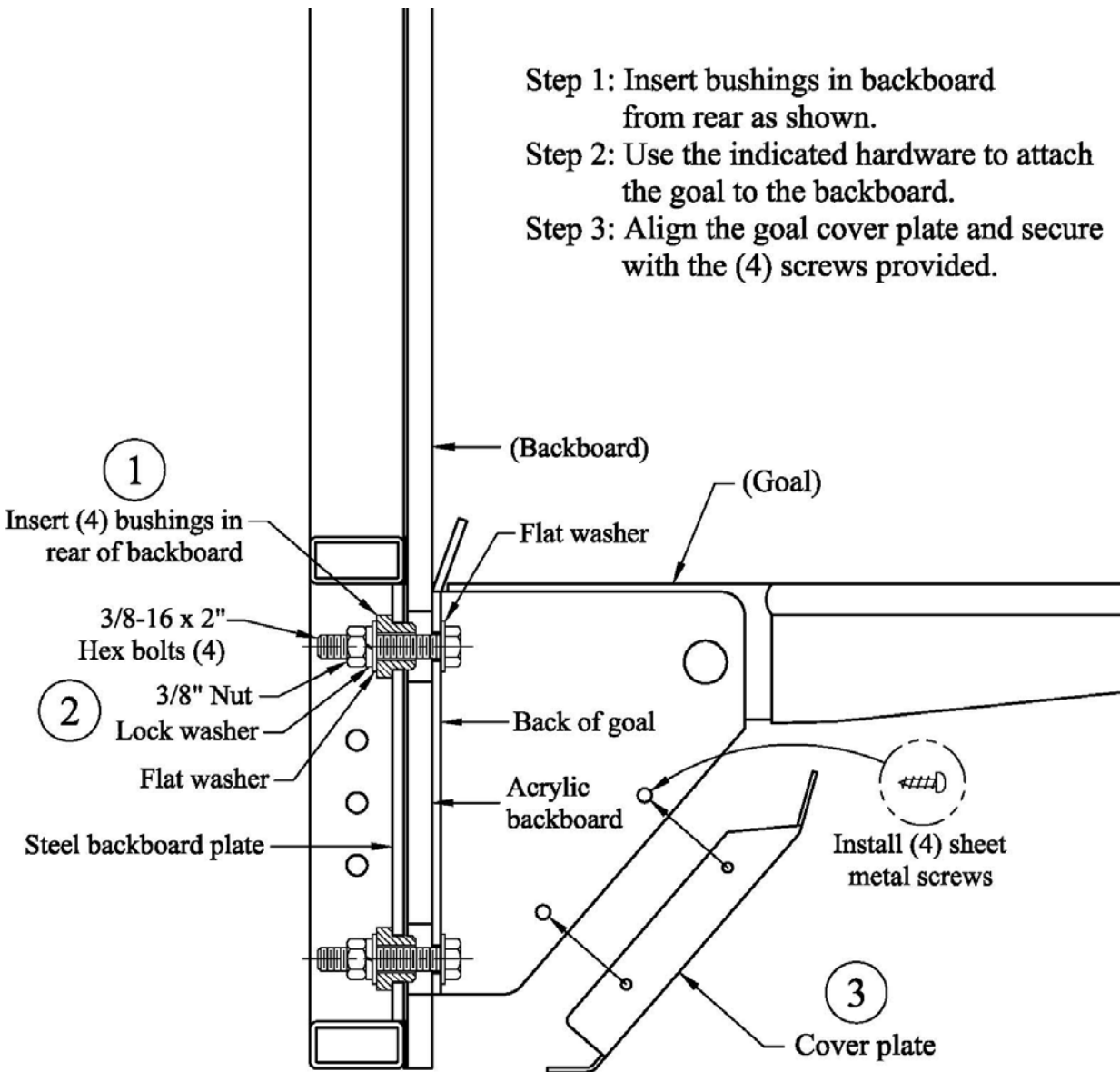
\*The column can now be used as a base to assemble the rest of the backboard support unit.



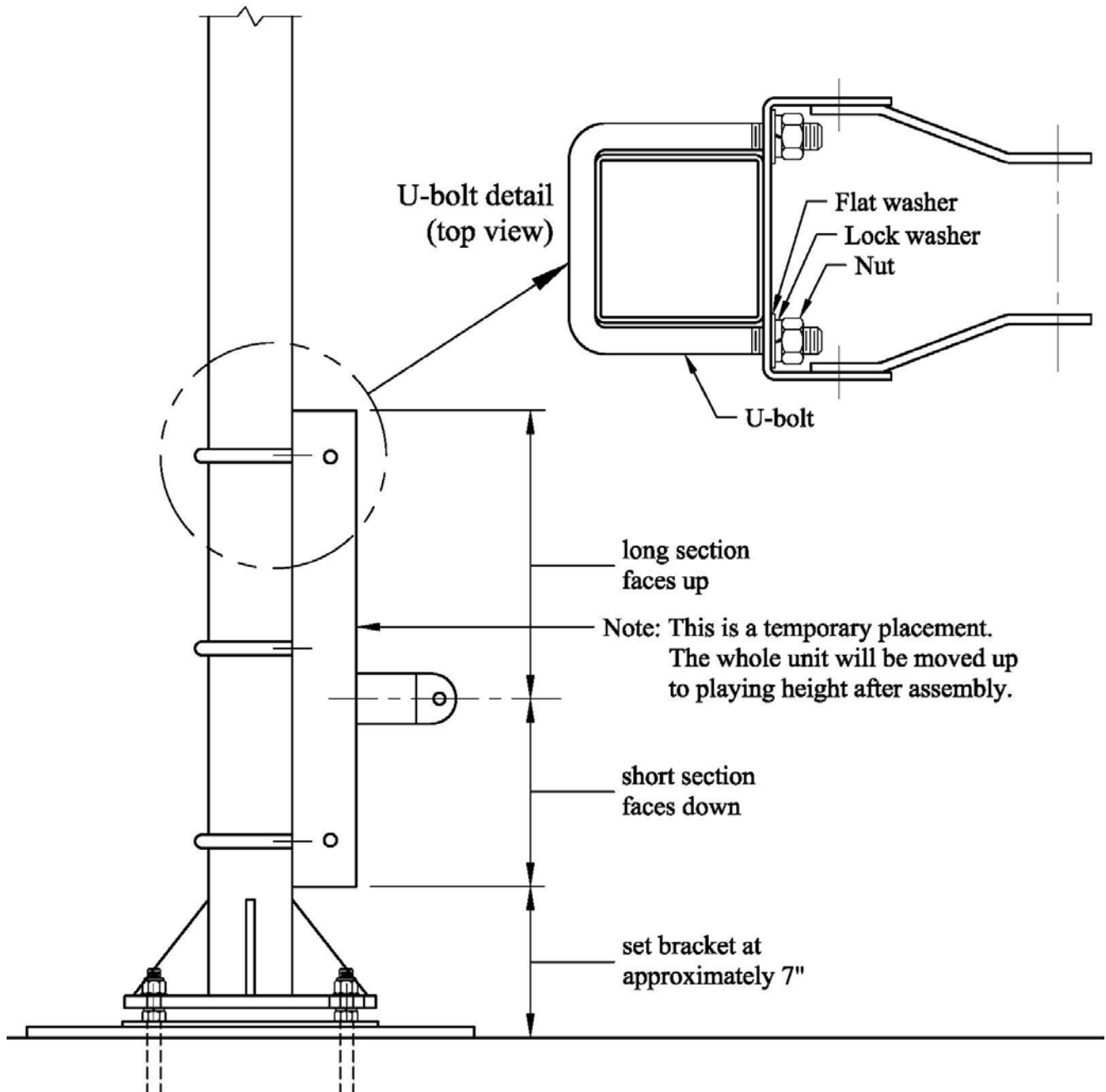
**Unpack the backboard and hardware. You will find (4) mounting brackets and (8) sets of 5/16-18 bolts & nuts. Use the illustration to securely attach the brackets where indicated. Note: Center to center distance between the brackets will be 18"**



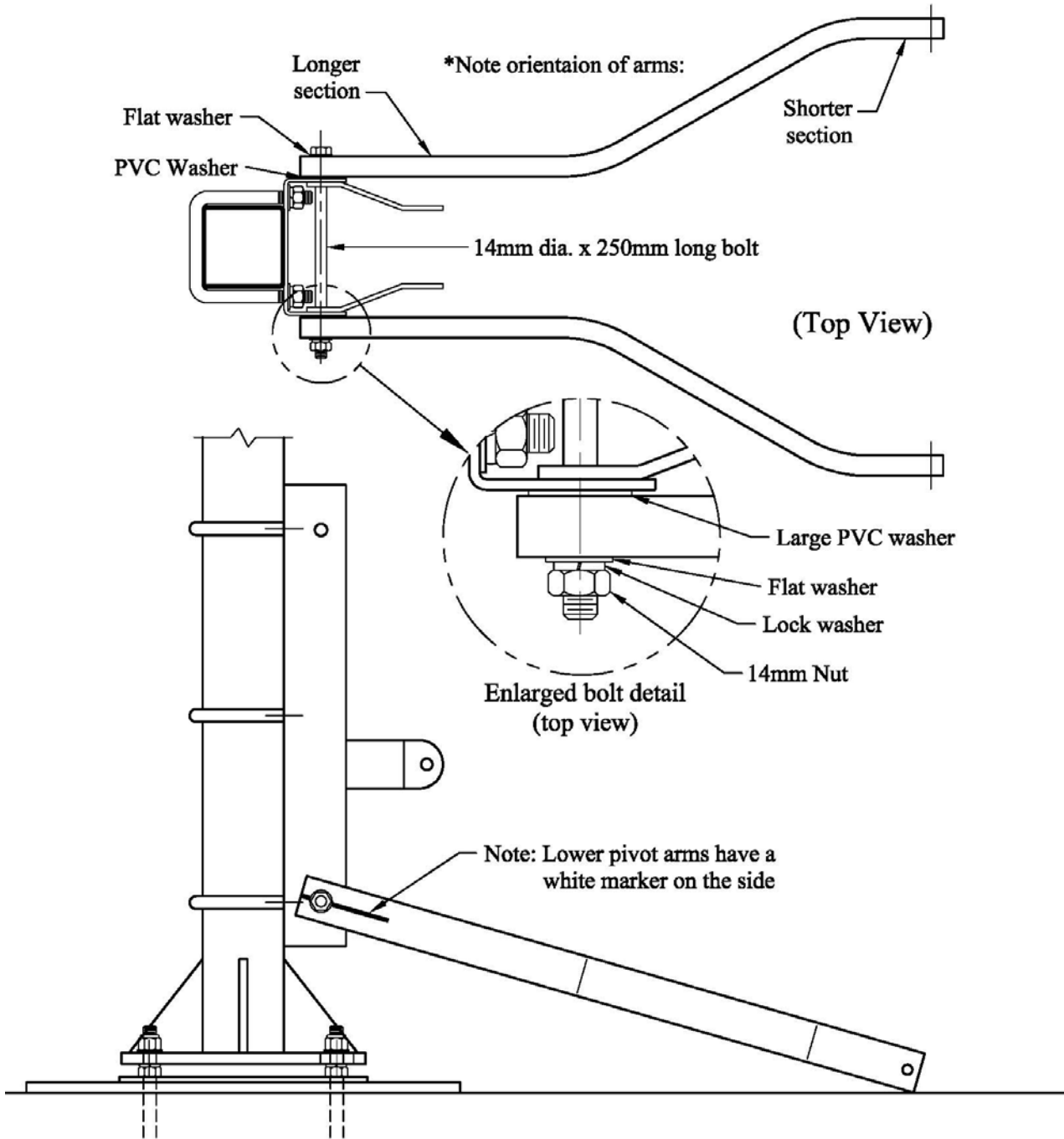
**Unpack the goal and attachment hardware. Included should be the goal, the net, 4-bushings, bolts, nuts, washers, the cover plate and screws. Follow the steps illustrated below to assemble the goal to the backboard.**



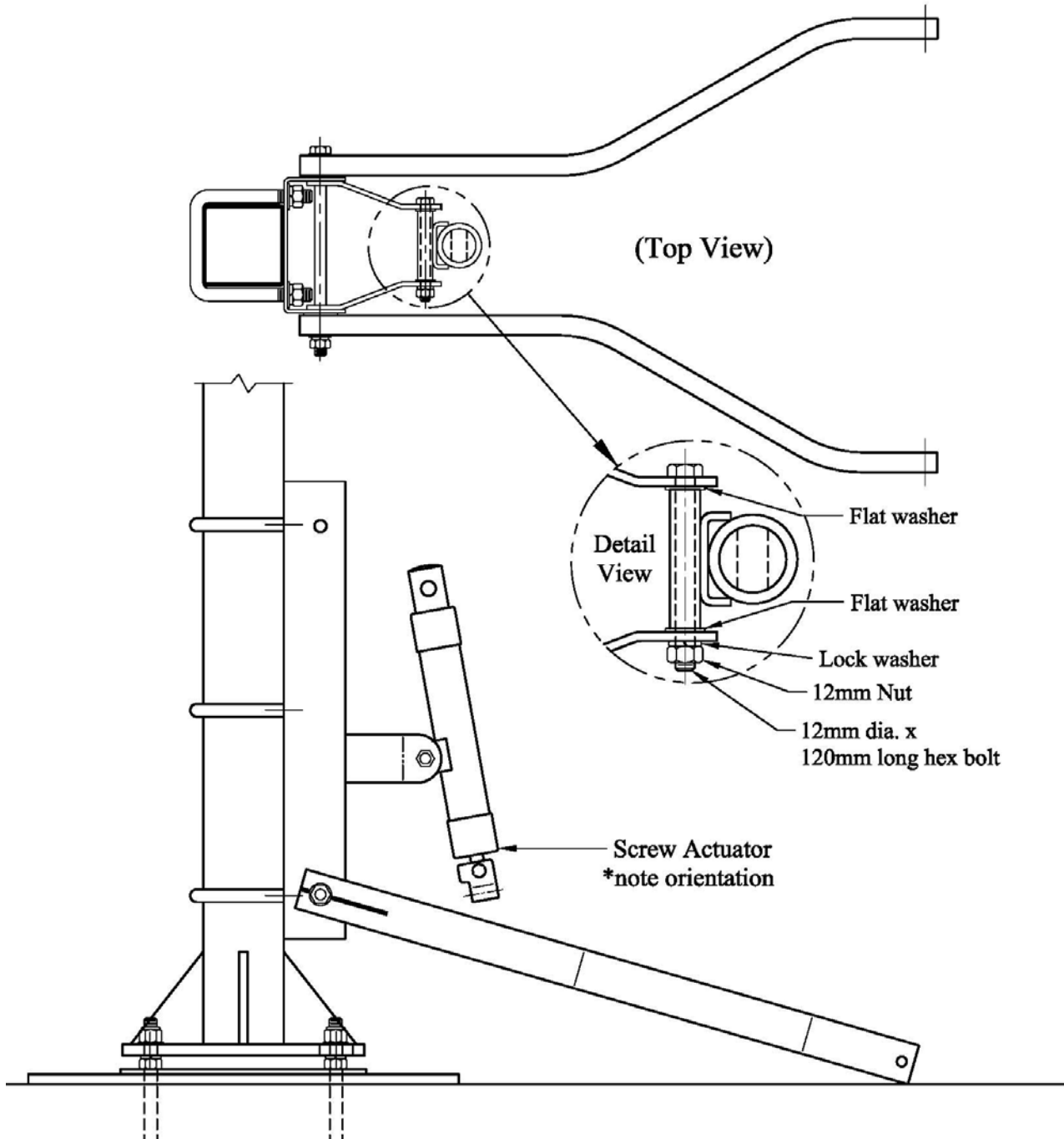
Use the illustration below to temporarily assemble the actuator bracket to the vertical support column. The lift arms, the actuator, and the backboard will now be added. The whole assembly will then be lifted into final position.



Assemble the lower pivot arms as shown.  
Note the position of the nut and washers

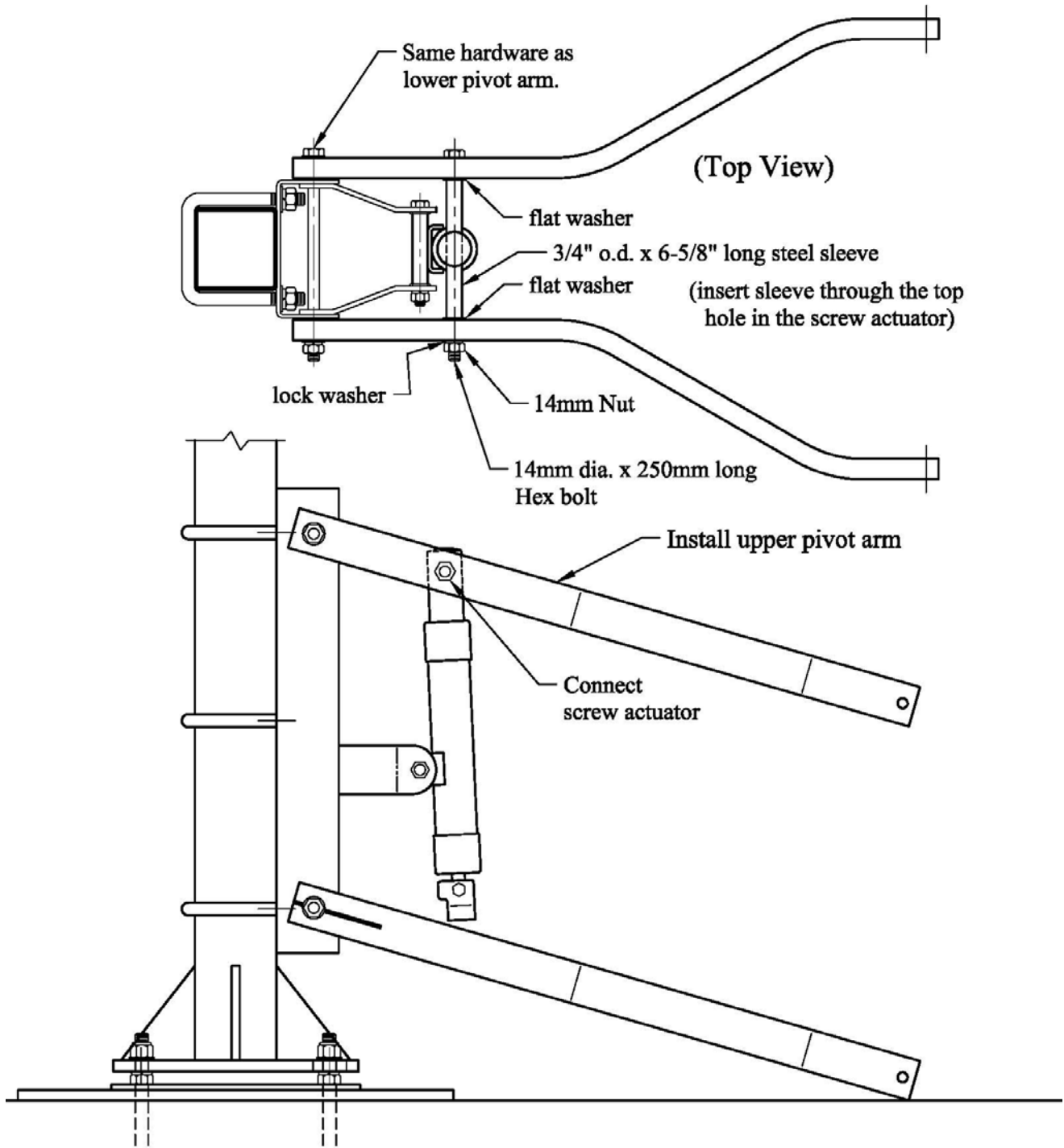


**Install the Screw Actuator with the hardware shown.**

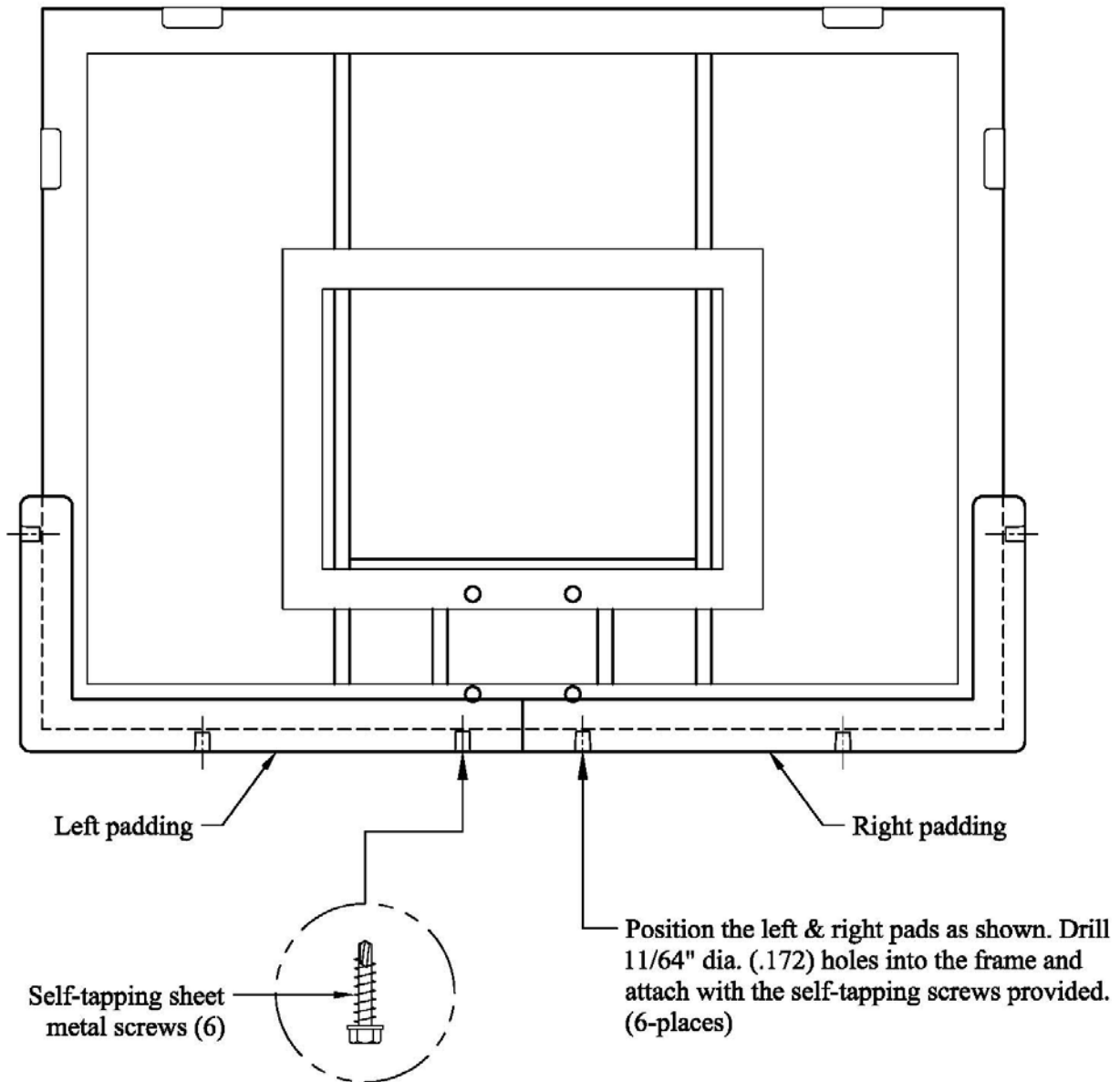


**Assemble the upper pivot arms as shown.**

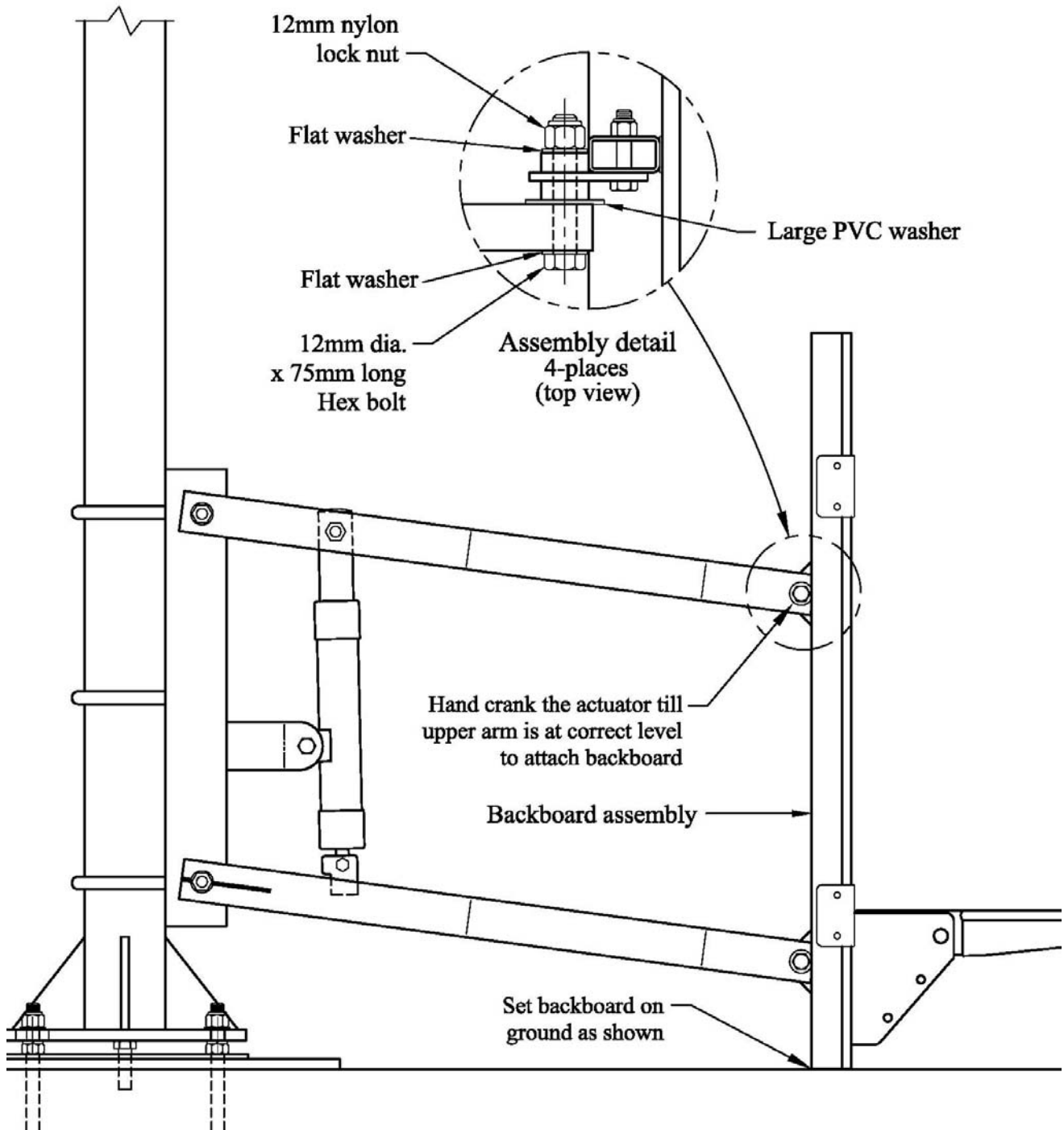
Note the position of the nuts and washers



**If the backboard padding has been purchased, it would be convenient to install it now instead of when the backboard is in the full raised position.**



**Attach the backboard to the pivot arms as shown below.**  
**Detailed view shows proper placement of bolts, nuts, and washers.**

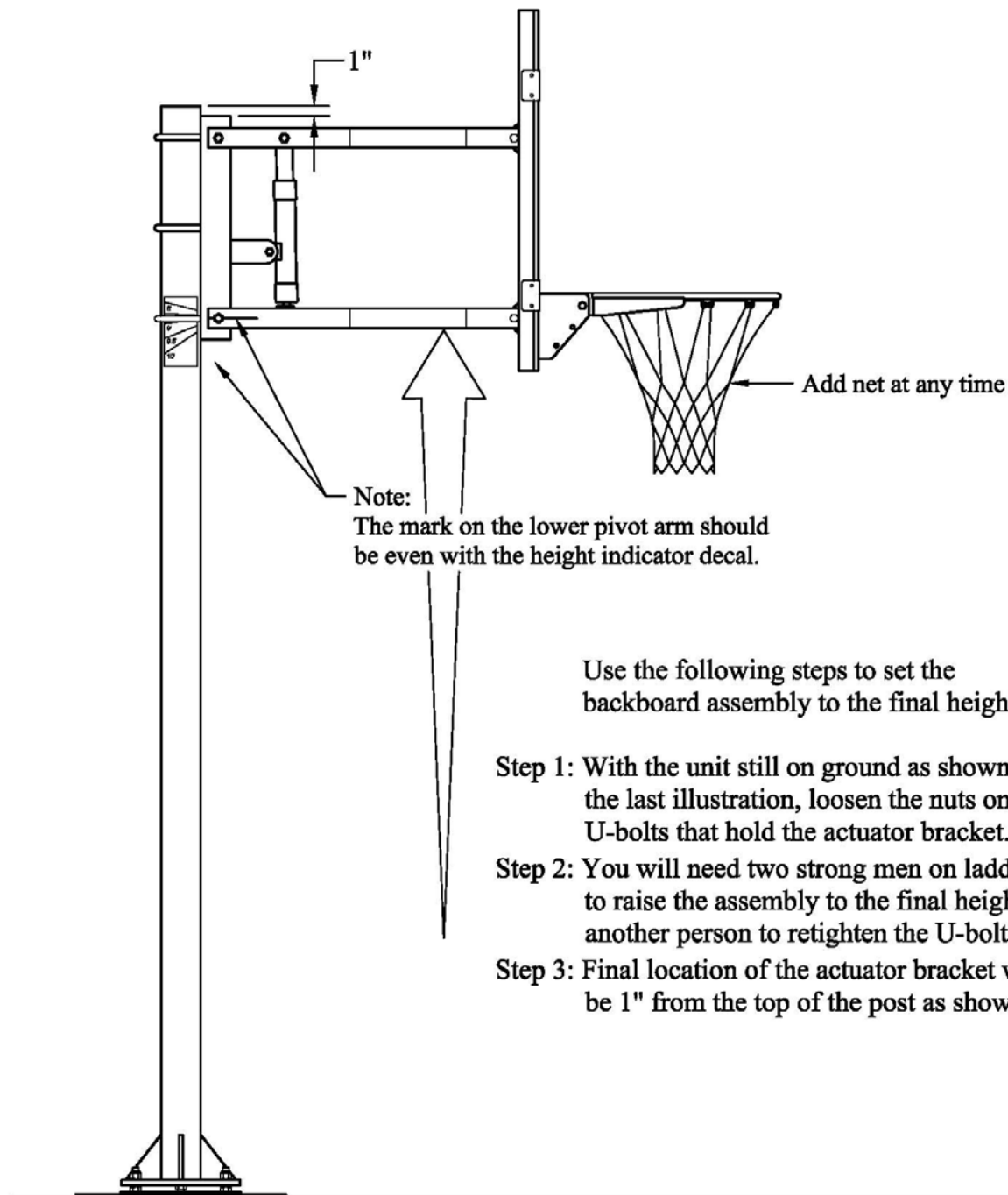


## LAST STEP!

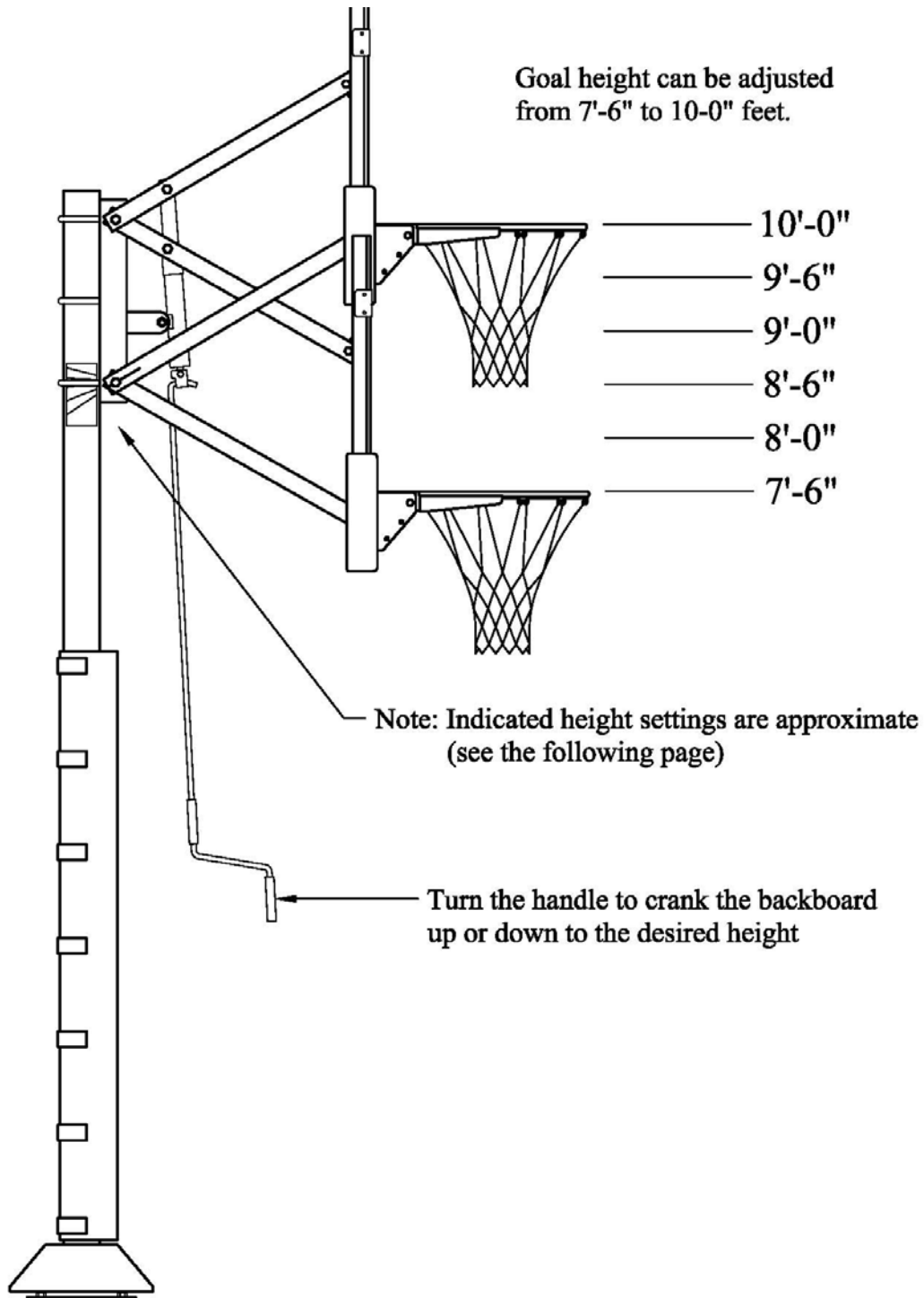
**Raise the backboard to the final playing height**

**This operation will require at least (3) people.**

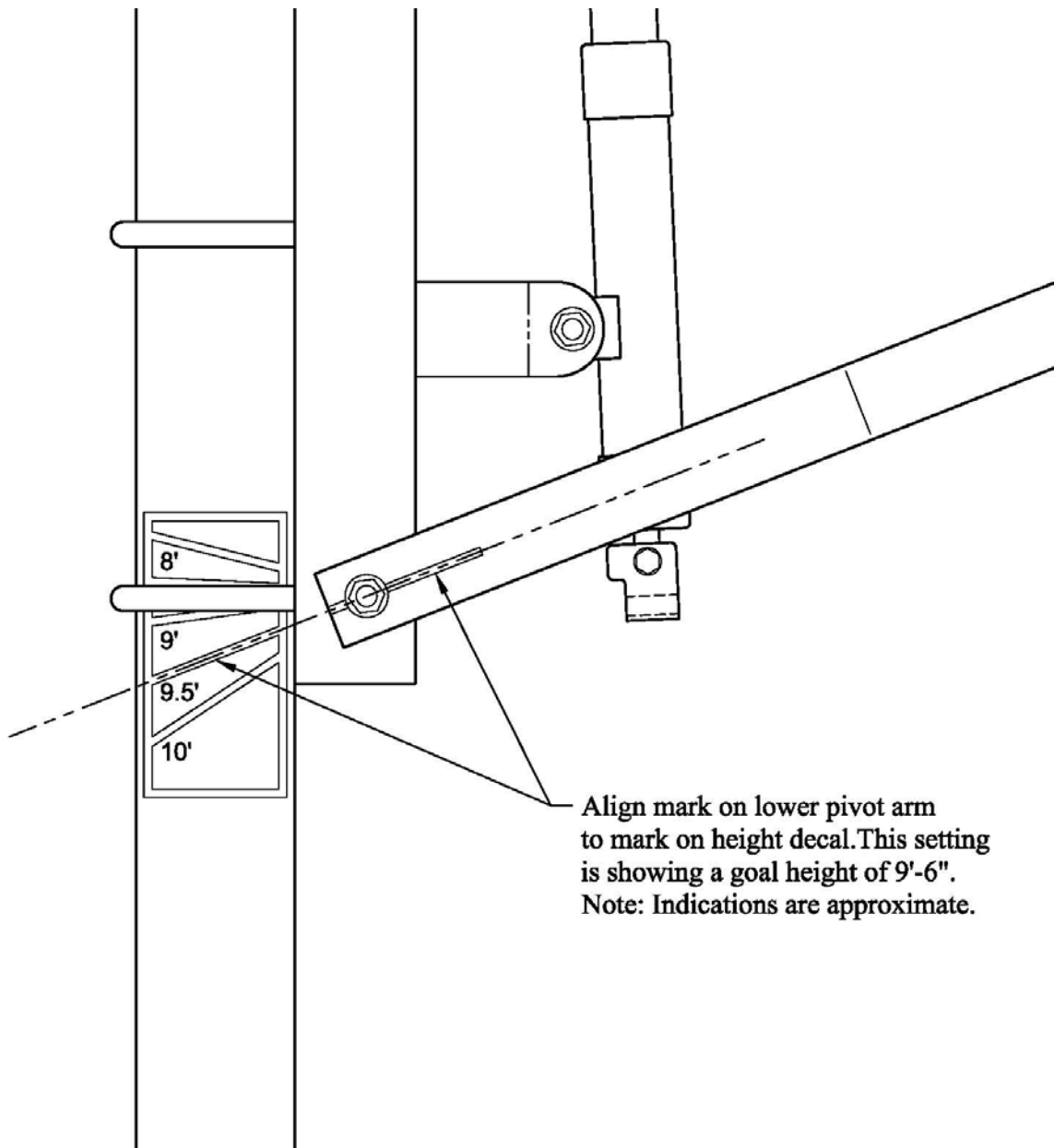
**Make sure you have enough help to complete this last step safely!**



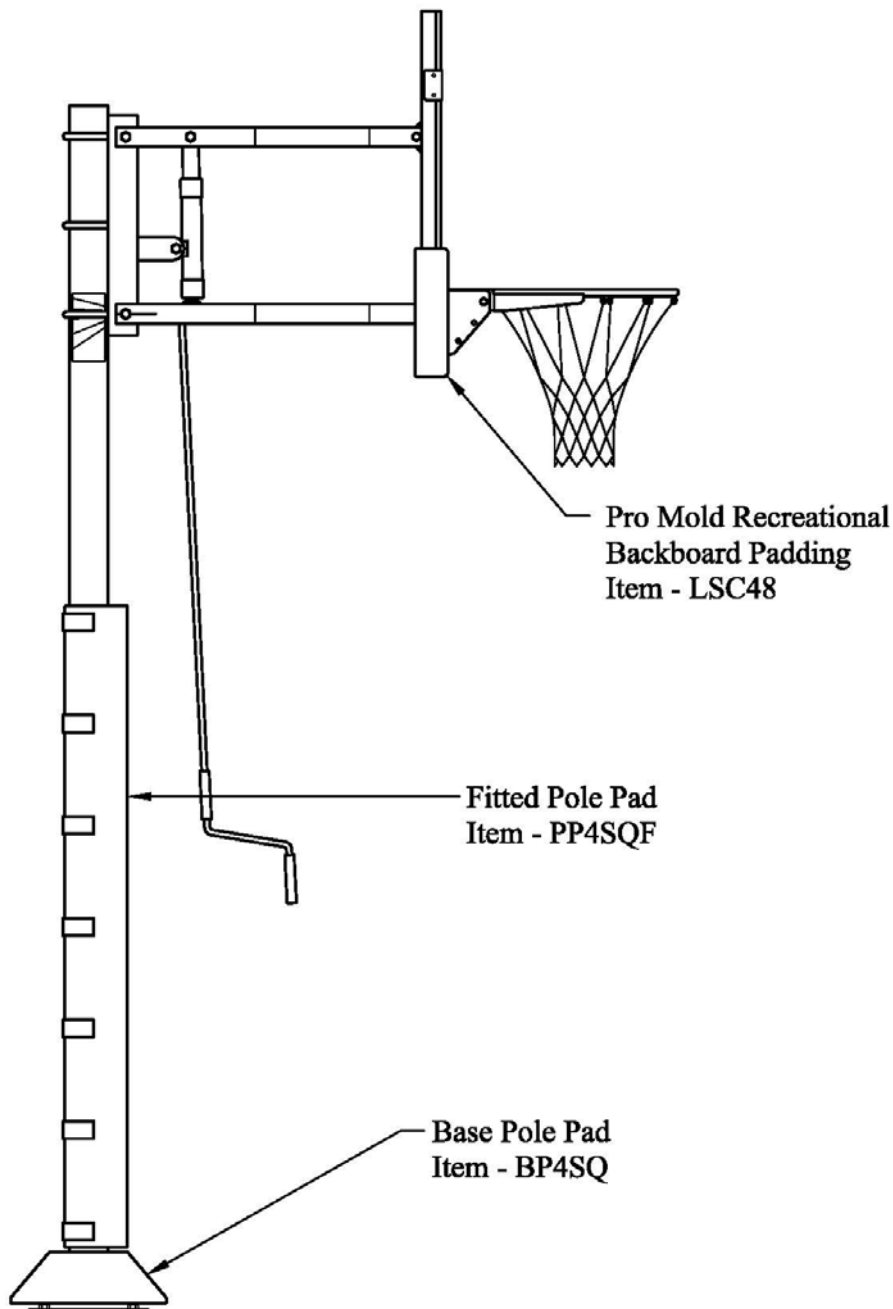
The following illustration shows the range of height adjustment.



**The following illustration shows the height adjustment indicator.**



**Note: Padding shown is purchased separately.**





# Super Shot Adjustable Basketball System





**Gared Holdings, LLC**

**Performance Sports Systems  
9200 E. 146<sup>th</sup> Street  
Noblesville, IN 46060**

**800-848-8034  
[www.perfsports.com](http://www.perfsports.com)**

**Gared Sports  
707 North 2<sup>nd</sup> Street  
St. Louis, MO 63102**

**800-325-2682  
[www.garedsports.com](http://www.garedsports.com)**