



Ultra Champ I & II Adjustable Basketball System
Models: GP8A60 & GP8G60



Installation, Operation and Maintenance Instructions

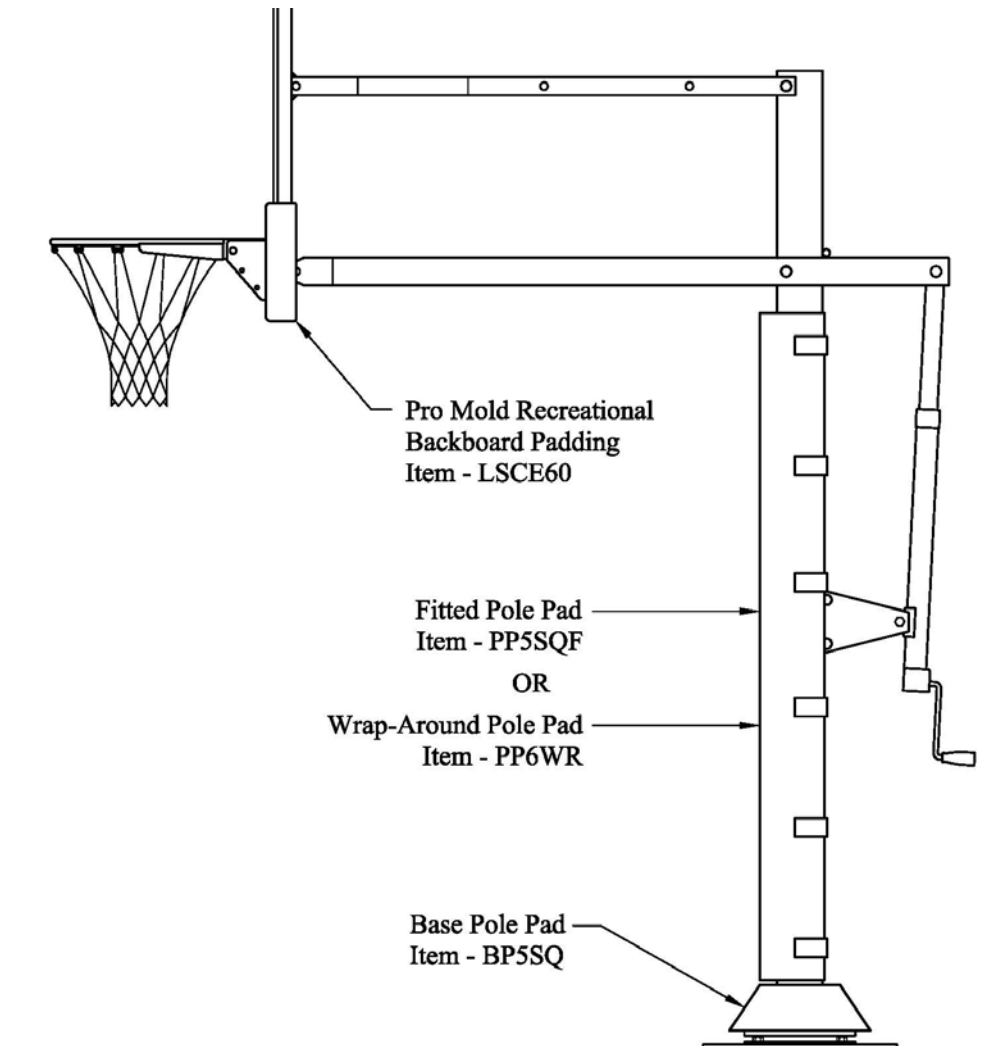
Please read all instructions before attempting installation or operation of these units

SAVE THESE INSTRUCTIONS FOR FUTURE USE

Table of Contents

<u>Section</u>	<u>Page No.</u>
Introduction	2
Cautions and Warnings	2
Parts Checklist	3-4
Assembly and Setup	5-17
Unit Operation	18

Note: The padding options shown below are purchased separately.





Introduction

Thank you for your purchase of a Gared Sports model Ultra Champ Adjustable backstop. To ensure that our equipment will provide years of use to you, we are including this installation, operation, and maintenance guide. This guide will provide information on the proper assembly and installation methods, operating procedures, and preventative maintenance of your portable backstop.

Please note that a Bill of Materials is being included with this guide. Please check that all of the parts called out on the Bill of Materials are present prior to beginning assembly and setup. Please do not substitute for factory parts. Please contact your dealer or Gared or Performance Sports Systems customer service department and allow them to determine if substitute parts are acceptable.

It is recommended that an individual who has been properly trained perform assembly and set up of the backstop. No one under the age of 18 should attempt assembly or set up of the unit, unless properly supervised.

To prevent normal wear and tear from shortening the life of the unit, preventative maintenance inspections and repairs should be performed at least once per year. If the units are subject to high or unusual usage, inspections should be scheduled to occur more frequently. If items are found to be nonconforming, replacements can be ordered from Gared, Performance Sports Systems, or one of our authorized dealers. When contacting Gared or PSS, please have information regarding the dealer/installer who sold the unit, the name of the project, and any applicable warranty information.

Read and understand the following warnings to prevent possible personal injury and potential damage to the equipment during assembly, setup, and operation.



Before proceeding with assembly, read all instructions and assembly procedures. Make sure all parts have been received and are not damaged.



Ultra Champ Adjustable Basketball System



Parts Checklist

Verify all parts listed on packing list are present prior to installation.

The following parts have been packed separately

Please refer to your packing slip to verify the correct board and goal has been received.

Item	Basic Items	Qty
1	5" x 5" Pole with welded base	1
2	5/8" dia. x 16" long J-bolts	4
3	J-Bolt Template Plate	1
4	36" long Rebar	4
5	Actuator – Height Adjustment Device	1
6	Lower Extension Arm	1
7	Upper Extension Arm Assembly	1
8	Actuator Brackets	2
9	Acrylic Backboard – 42" x 60" for GP8A60	1
10	Glass Backboard – 42" x 60" for GP8G60	1
11	Rim (726 Super Goal)	1
12	Net	1
	Optional Padding	
13	LSCE60 – Pro Mold Recreational Backboard Padding	1
14	PP5SQF – Fitted Pole Pad	1
15	PP6WR – Wrap-Around Pole Pad	1
16	BP5SQ – Base Pole Pad	1
	Template Plate Hardware	
17	5/8" dia. x 2-1/2" Nut Coupler	1
18	5/8" dia. x 1-1/2" Hex Bolt	1
19	5/8" dia. Hex Nut	4
	Base Plate Hardware	
20	5/8" dia. Flange Nut	4
21	5/8" dia. Flat Washer	4
22	5/8" dia. Lock Washer	4
	Actuator Bracket Hardware	
23	16mm dia. x 175mm long bolts	2
24	16mm dia. Nut	2
25	Flat Washer (16mm)	4
26	Lock Washer (16mm)	2
	Lower Extension Arm Hardware	
27	16mm dia. x 310mm long Hex Bolt	1
28	16mm dia. Nylon Locking Nut	1
29	Flat Washer (16mm)	2
	Upper Extension Arm Hardware	
30	16mm dia. x 215mm long Hex Bolt	1
31	16mm dia. Nylon Locking Nut	1
32	Flat Washers (16mm)	2
33	12mm dia. x 54mm long Hex Bolt	4
34	12mm dia. Nut	4



Ultra Champ Adjustable Basketball System



35	Flat Washer (12mm)	8
36	Lock Washer (12mm)	4
	Actuator Hardware	
37	18mm dia. x 310mm long Hex Bolt	1
38	18mm dia. Nylon Locking Nut	1
39	Flat Washer (18mm)	2
40	Steel Bushing 1.0" o.d. x 5.0" long	1
41	Plastic Bushing Spacers	2
42	16mm dia. x 128mm long Hex Bolt	1
43	16mm dia. Nylon Locking Nut	1
44	Flat Washer (16mm)	2
	Backboard Mounting Hardware	
45	12mm dia. x 75mm long Hex Bolt	2
46	12mm dia. x 54mm long Hex Bolt	2
47	12mm dia. Nylon Locking Nut	4
48	Flat Washer (12mm)	8
49	Large PVC Washer	4
50	Mounting Brackets	4
51	#5/16-18 x 1-1/2" long Hex Bolts	12
52	#5/16-18 Nylon Locking Nuts	12
53	3/4" dia. Bushing (for mounting goal)	4
	Rim (Goal) Hardware	
54	#3/8-16 x 2" long Hex Bolts	4
55	#3/8-16 Nut	4
56	Flat Washer (3/8")	8
57	Lock Washer (3/8")	4
58	#8 x 5/8" Sheet Metal Screw	4

Contact Gared Customer Service at 800-325-2682 or PSS Customer Service at 800-848-8034 for assistance with replacement of any parts missing or damaged.

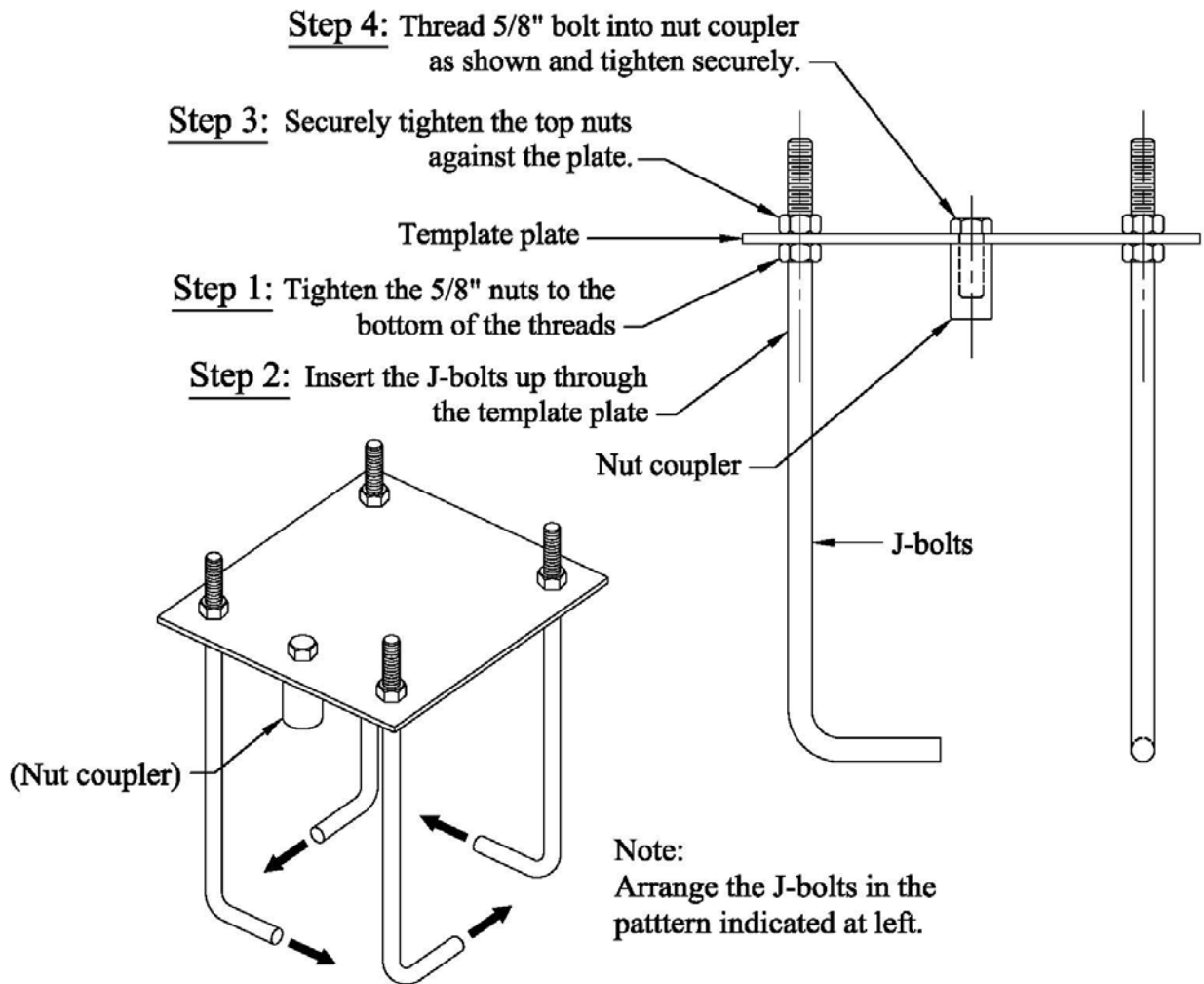
Tools and Materials Required for Assembly:

1. 2 Adjustable Wrenches.
2. Socket Set
3. 1/2" Wrench
4. 9/16" Wrench
5. 3/4" Wrench
6. 15/15" Wrench
7. Phillips Head Screwdriver
8. Electric Drill
9. 11/64" Drill Bit
10. Tape Measure
11. Hammer or Mallet
12. Shovel
13. Post Hole digger.
14. Carpenter's Level
15. 2 Ladders – minimum
16. Concrete – 1/2 yard or 14-16 bags of pre-mix (80 lb. bags)

INSTALLATION INSTRUCTIONS

Use the illustration below to assemble the template plate and J-bolts.

(Note: Find the template plate strapped to the base of the main support column.)
 Also find, (4) J-bolts, (8) 5/8" nuts, (1) 5/8" x 1-1/2" hex bolt and (1) nut coupler.

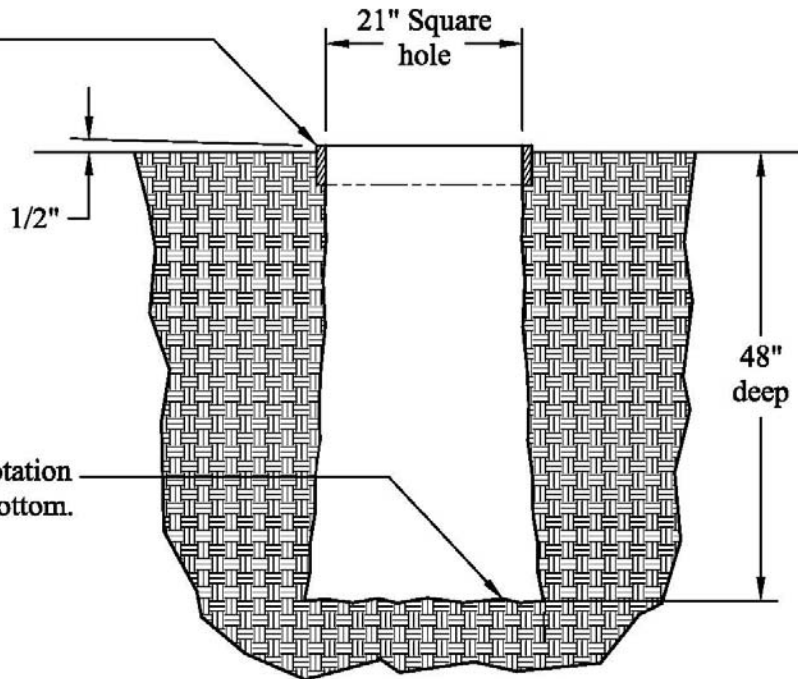


Dig and prepare the hole for anchoring the template plate and J-bolt assembly.

It is recommended to build a form to keep the top of the concrete straight and square. Place the form about 1/2" above the playing surface to allow water drainage.

Step 1. dig hole.

Hole should be square to prevent rotation and slightly wider at bottom.

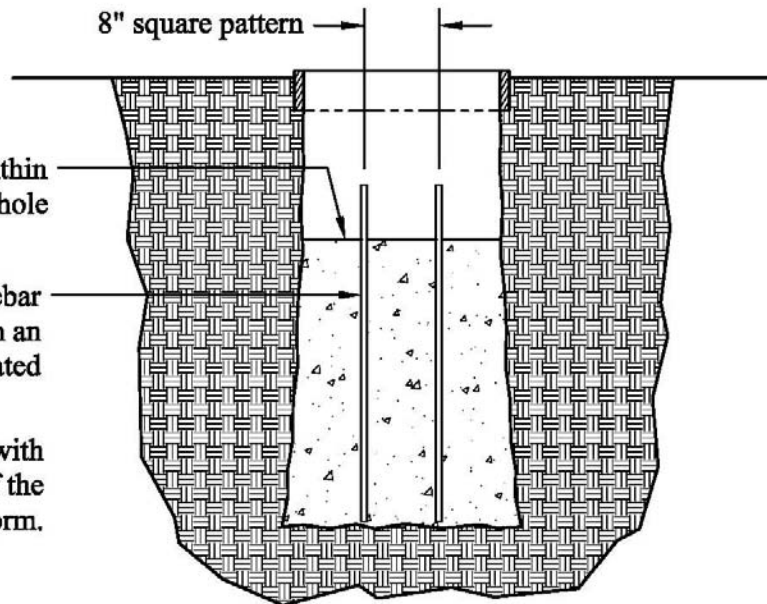


Step 2. begin pour.

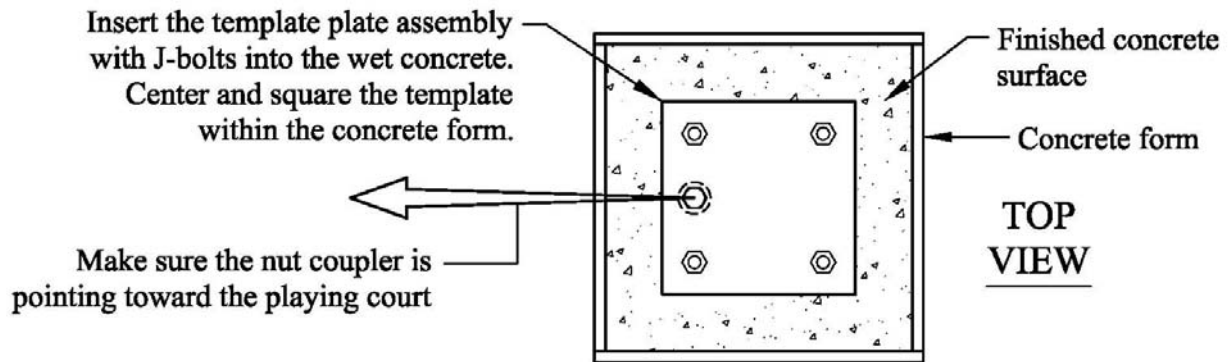
Mix and pour concrete to within 18" of the top of the hole

Insert the four 36" pieces of rebar to the bottom of the hole in an 8" square pattern as indicated

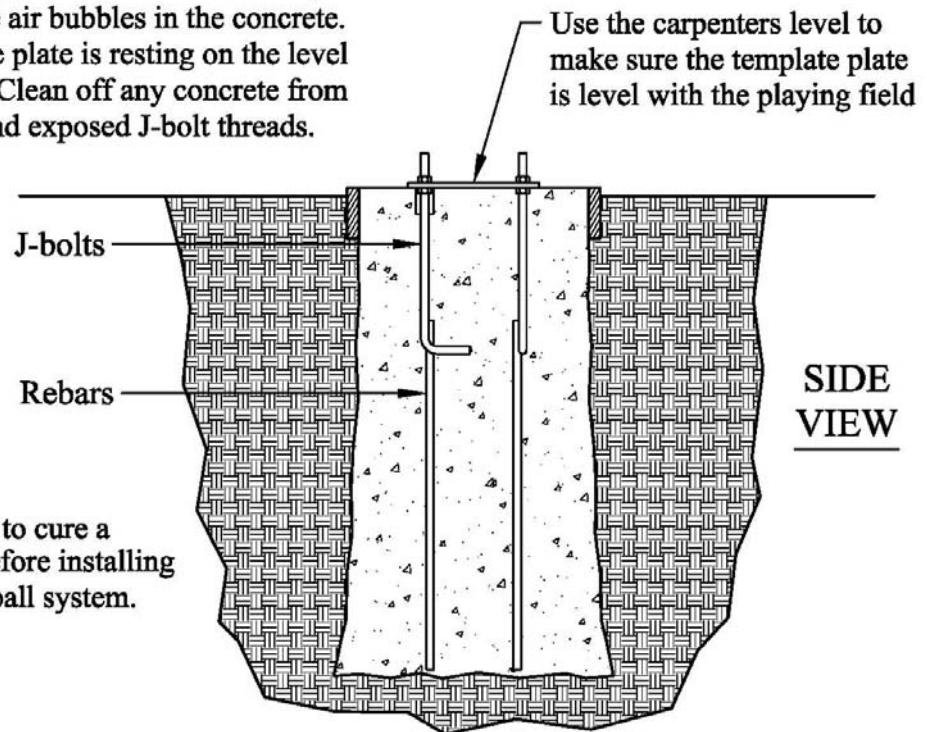
Finish filling the hole with concrete up the level of the top of the square form.



Set the J-bolt assembly in concrete with the nut coupler towards the playing area.

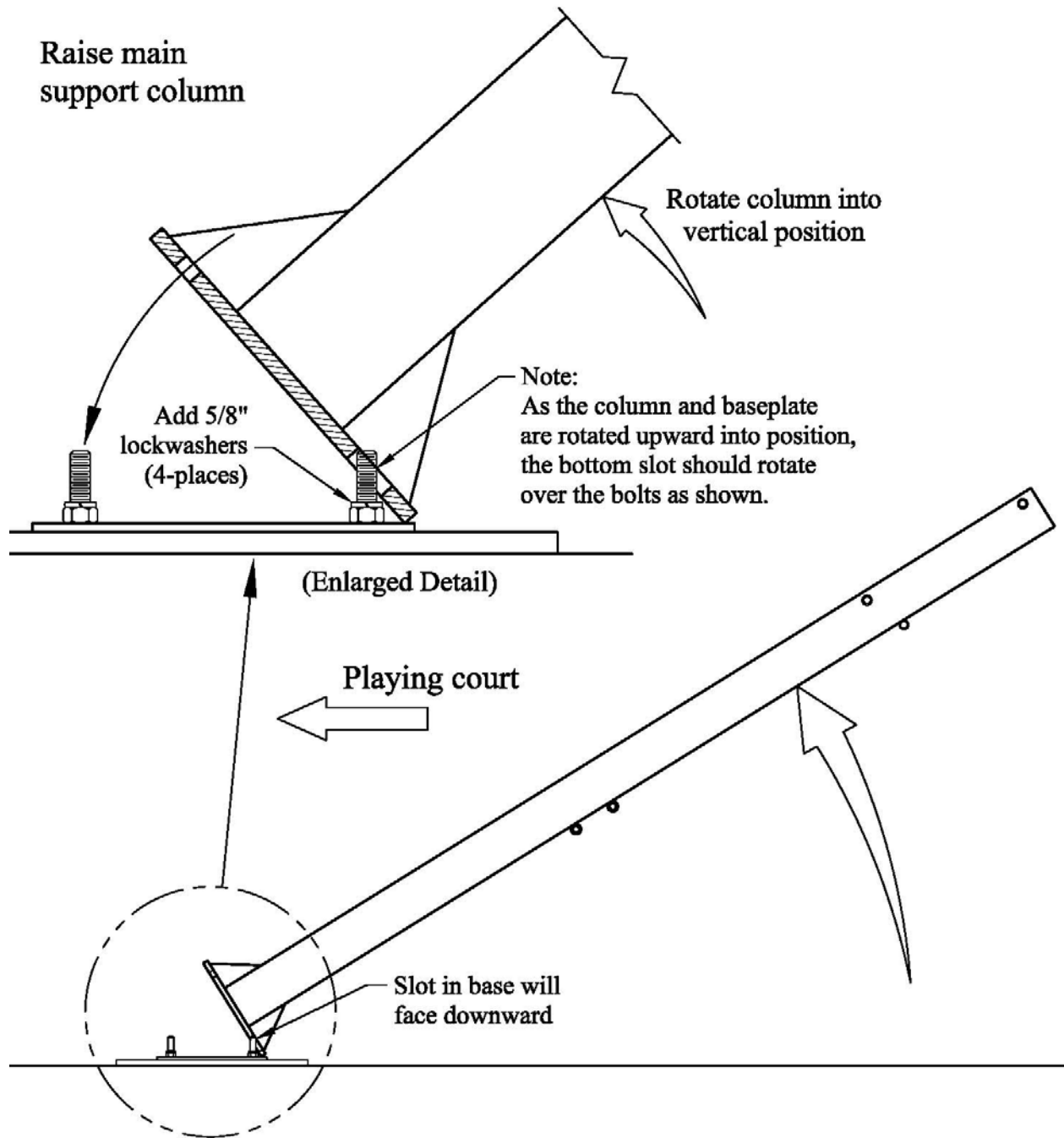


Agitate the Template plate and J-bolt assembly repeatedly to eliminate air bubbles in the concrete. Make sure the template plate is resting on the level and finished concrete. Clean off any concrete from the template plate and exposed J-bolt threads.



***Note:**
Allow the concrete to cure a minimum of 72 hours before installing the rest of the basketball system.

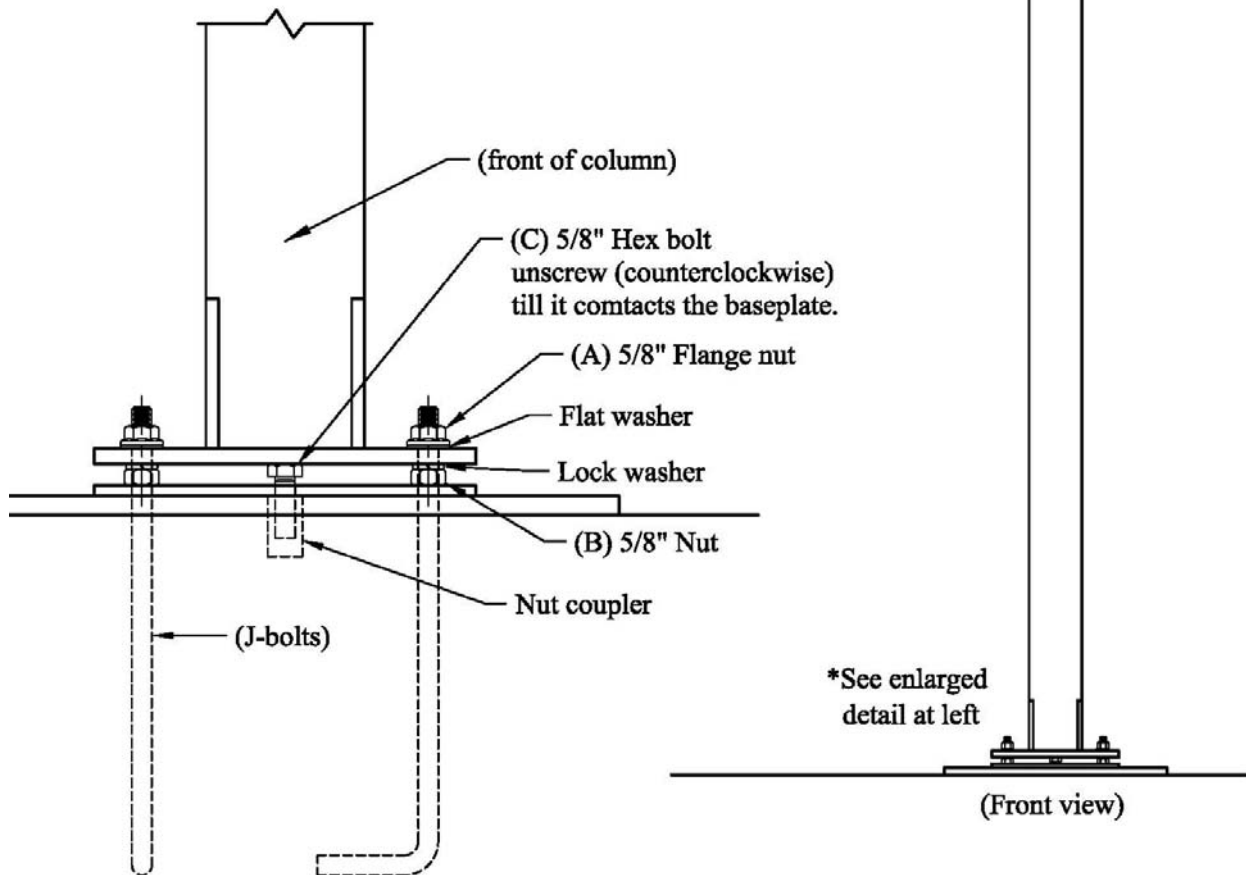
Use the following illustration to raise the main post (column) into position. Two strong people should be able to complete this process. The rest of the parts can then be added to complete the unit. NOTE: As an alternative, the whole unit could be assembled with the post lying down and then raised as the final process.



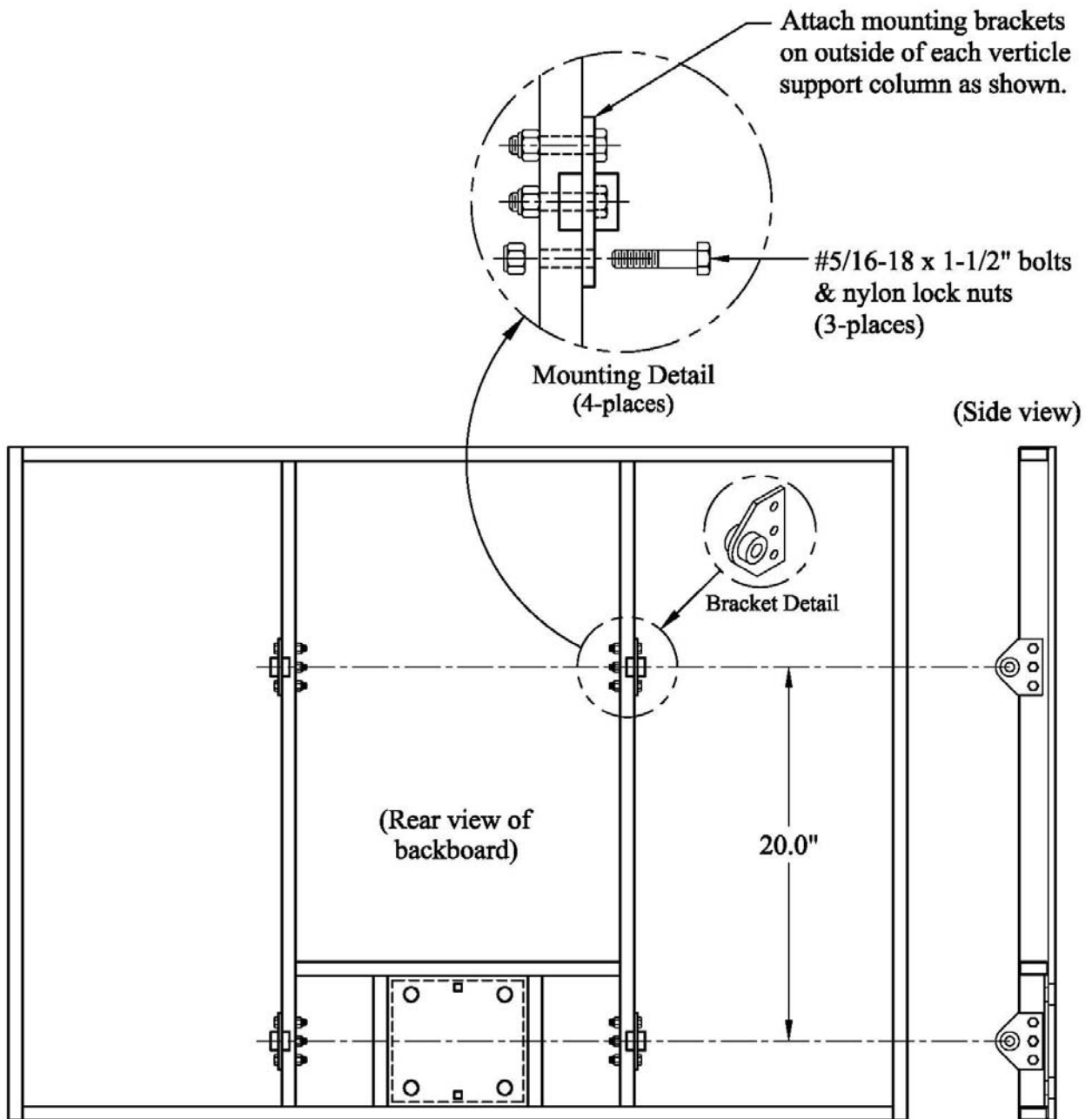
Use the following steps to level and secure the main post.

- Step 1: With column in upright position, add flat washers and flange nuts on top of each J-bolt.
- Step 2: Use level to make sure column is in vertical position.
- Step 3: If the angle of the post needs to be adjusted, loosen and tighten the flange nuts (A) and hex nuts (B) to achieve the needed results.
- Step 4: With column vertical, tighten all nuts. Now unscrew the 5/8" hex bolt (C) from the nut coupler until it is tight up against the baseplate.

*The column can now be used as a base to assemble the rest of the unit.

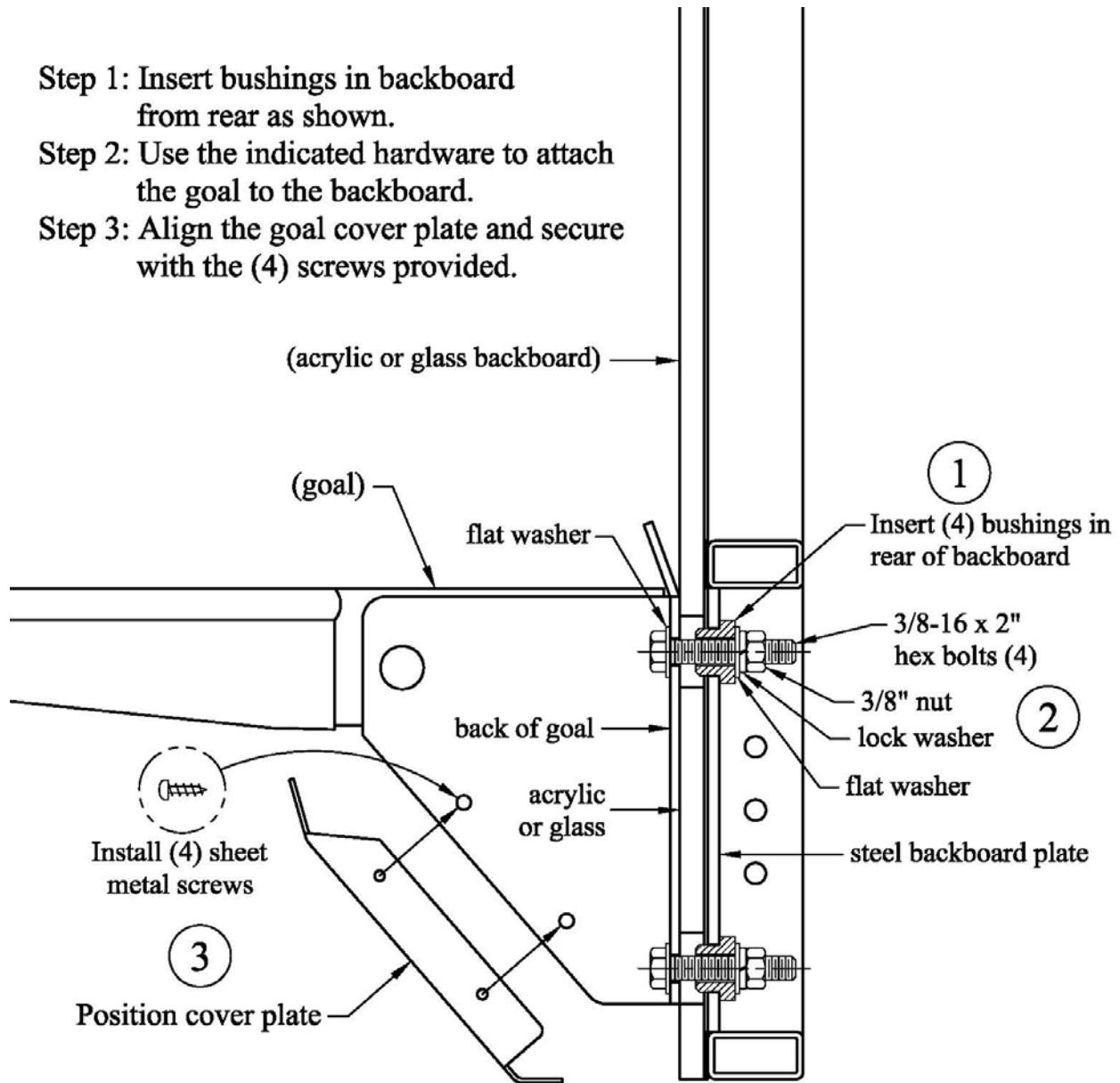


Unpack the backboard and mounting hardware. Attach the (4) mounting brackets with the nuts and bolts provided. NOTE: Vertical spacing will be 20" as shown.

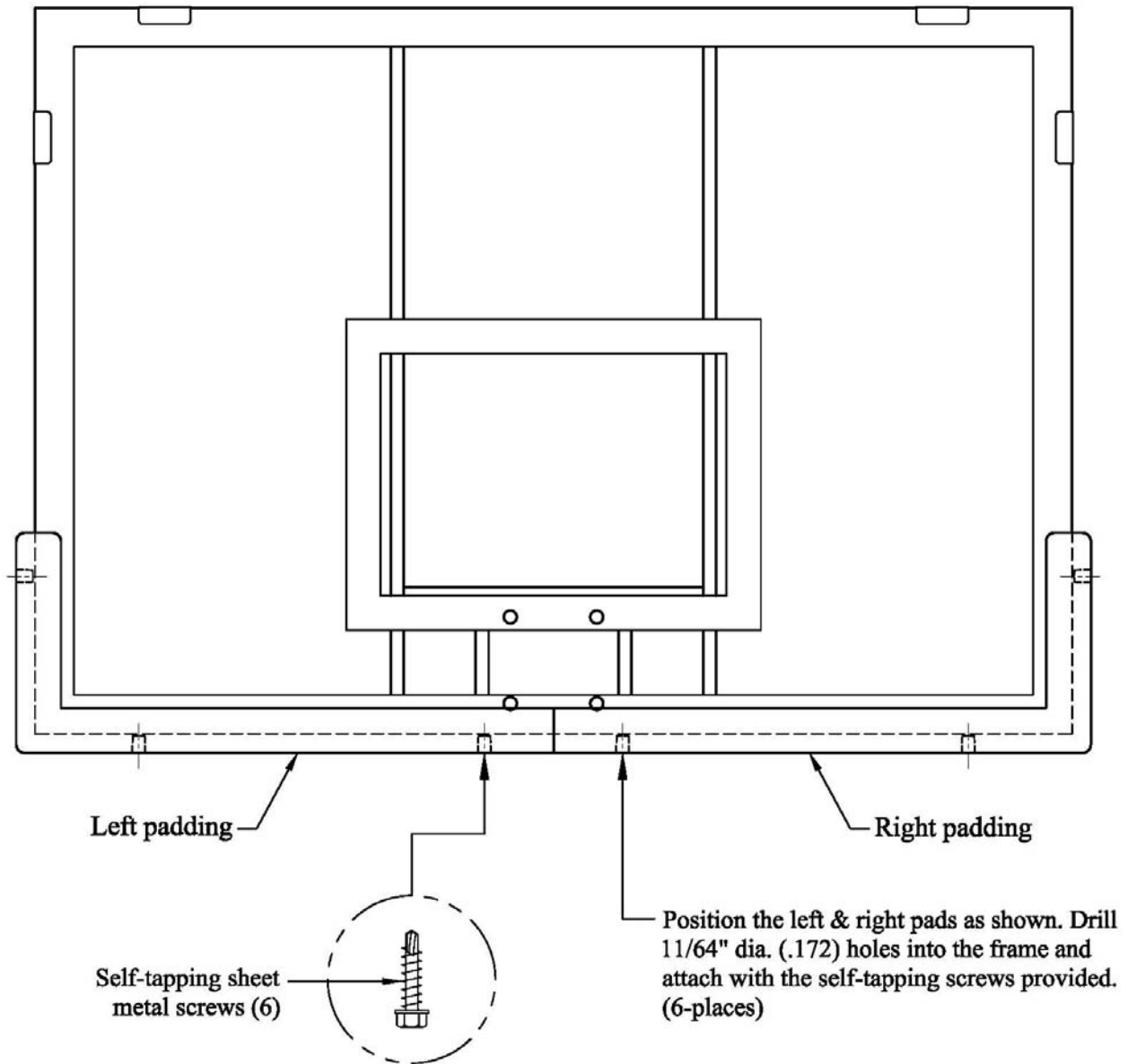


Unpack the goal and attachment hardware. Included should be the rim, the net, (4) bushings, bolts, nuts, washers, the cover plate and screws. Follow the steps below to mount the goal to the backboard. The net can be added at any time.

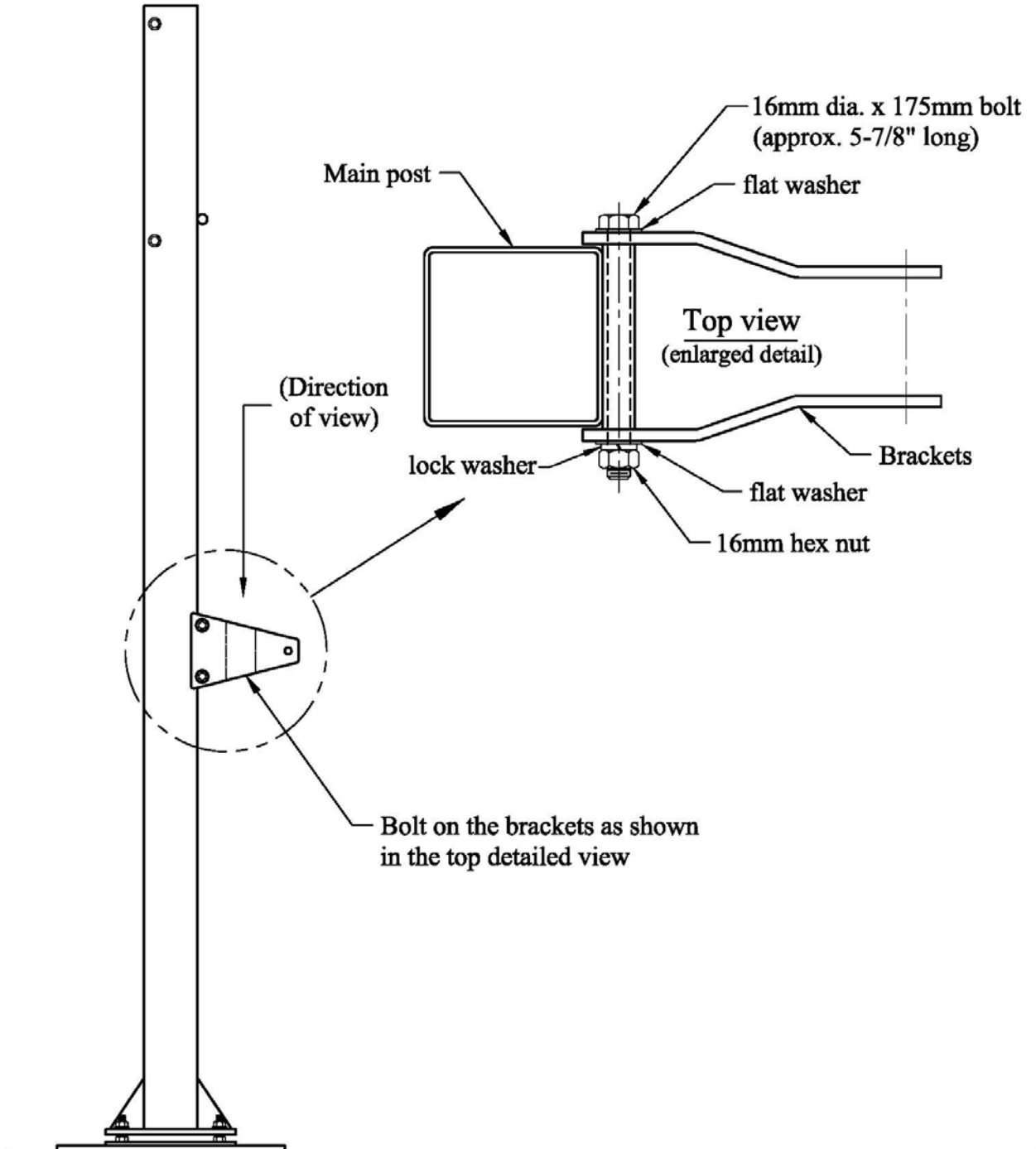
- Step 1: Insert bushings in backboard from rear as shown.**
- Step 2: Use the indicated hardware to attach the goal to the backboard.**
- Step 3: Align the goal cover plate and secure with the (4) screws provided.**



The following illustration shows how to attach the LSCE60 Pro Mold Padding. Padding may be attached before or after backboard is mounted in final position.

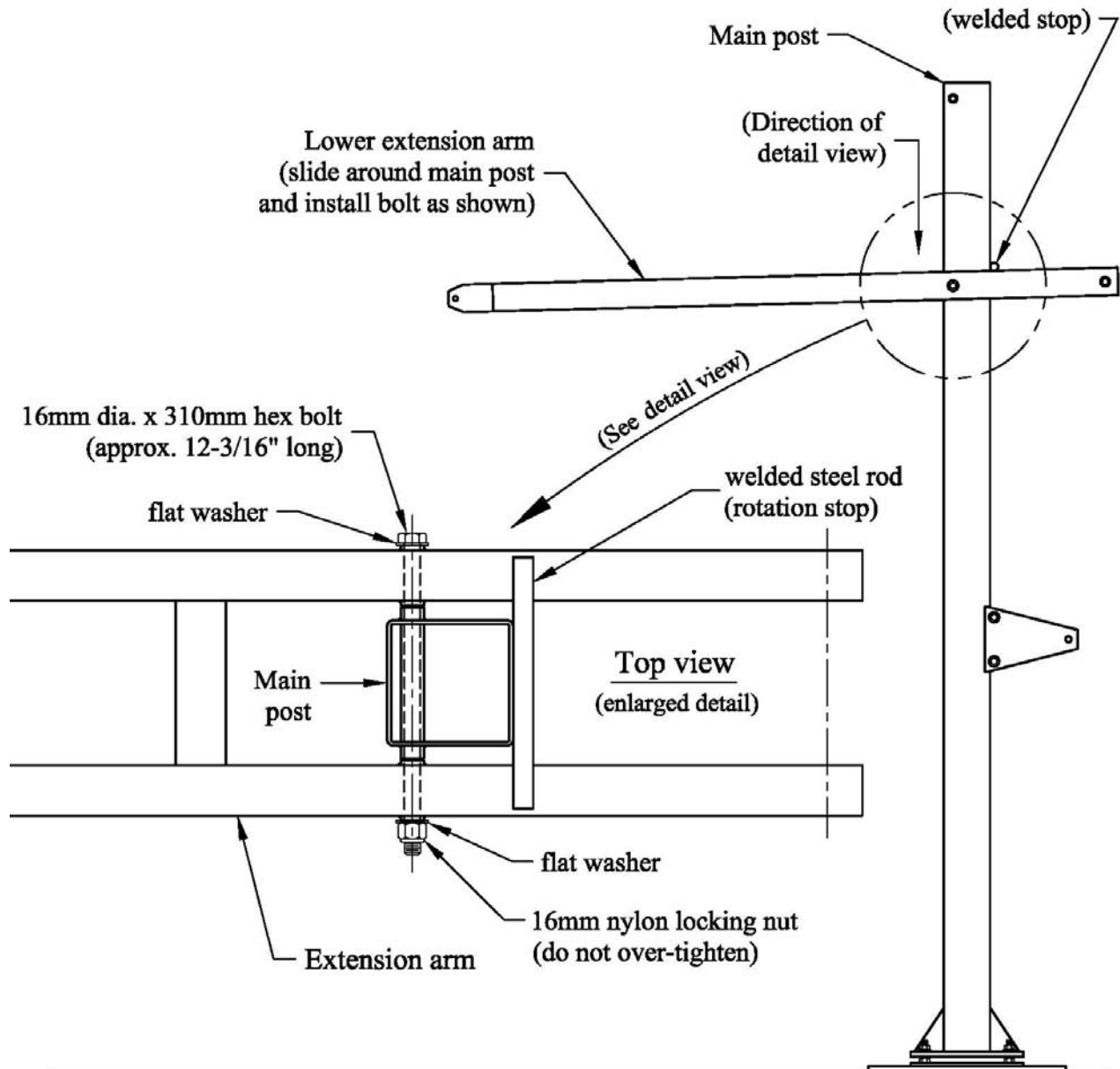


Assemble the (2) actuator brackets as shown in the illustration below.

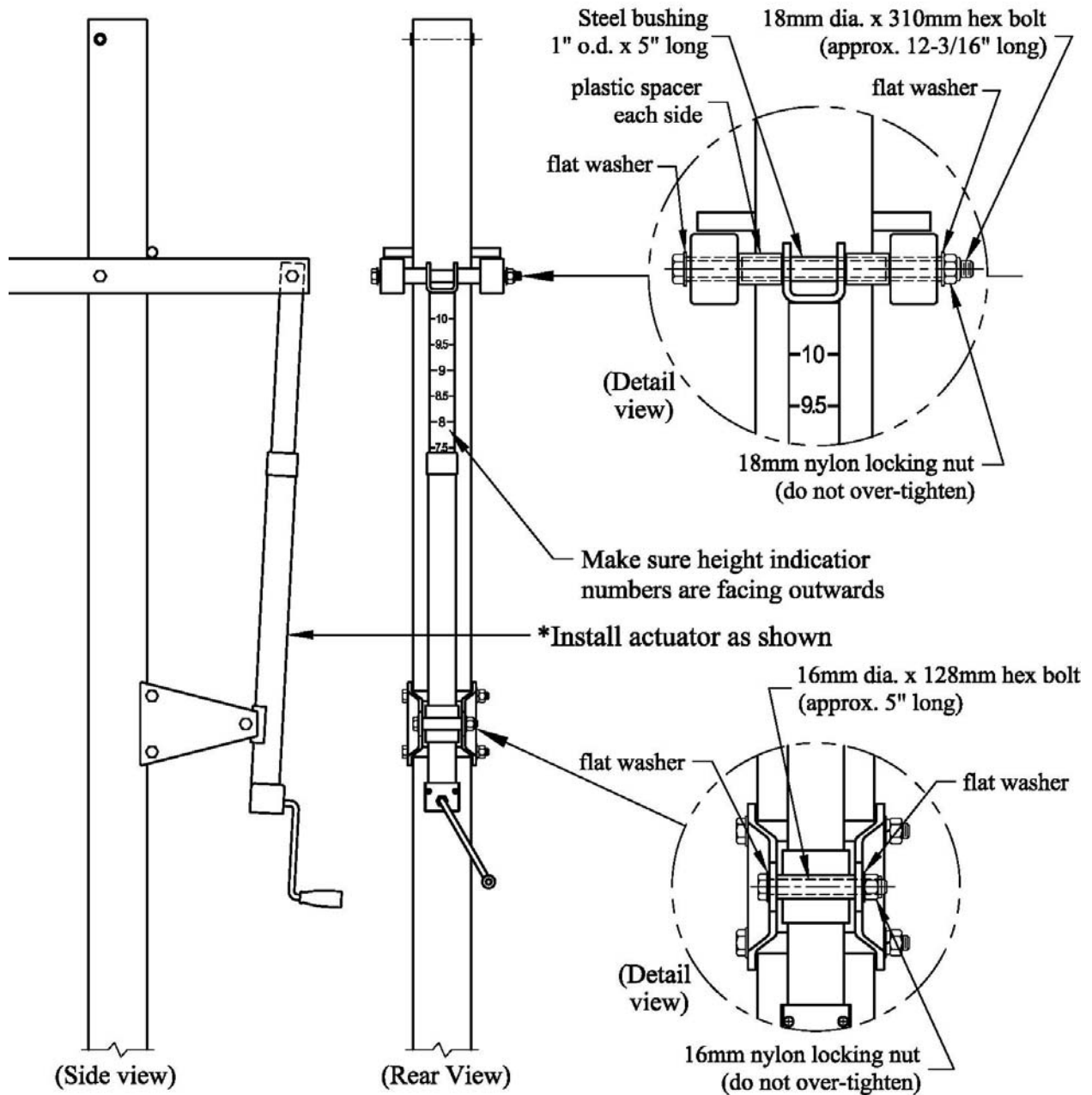


Attach the lower extension arm as shown below.

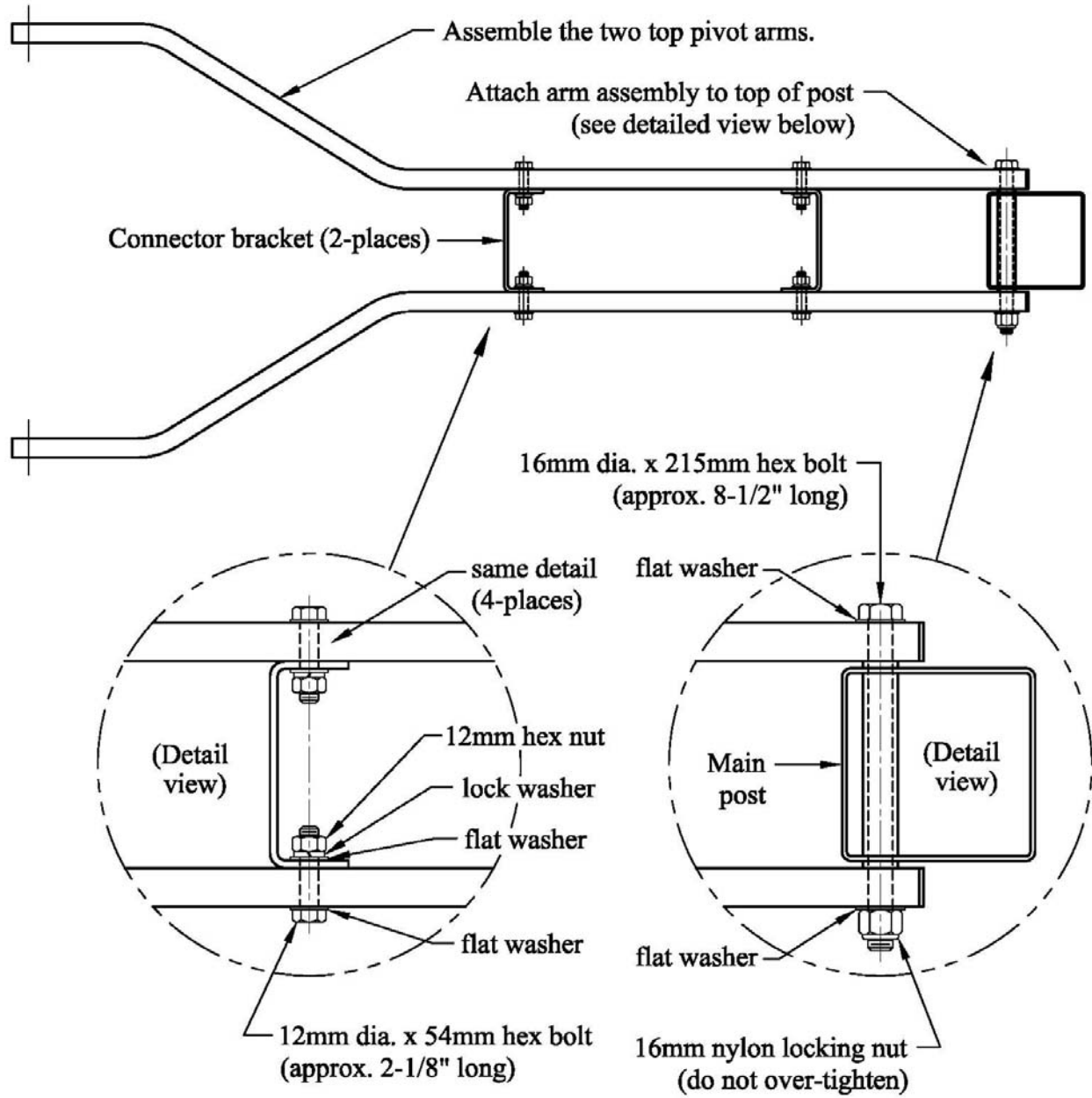
This is the primary lifting and support arm for the backboard.



Attach the height adjustment actuator to the brackets (bottom) and the extension arm (top) with the hardware shown in the detail views.



Assemble the upper extension arms and attach to the top of the main post using the hardware shown in the detail views below.



Attach the backboard to the extension arms using the hardware indicated in the detailed views below. This will require at least three strong persons with ladders.

Helpful hint You could also accomplish this task by working

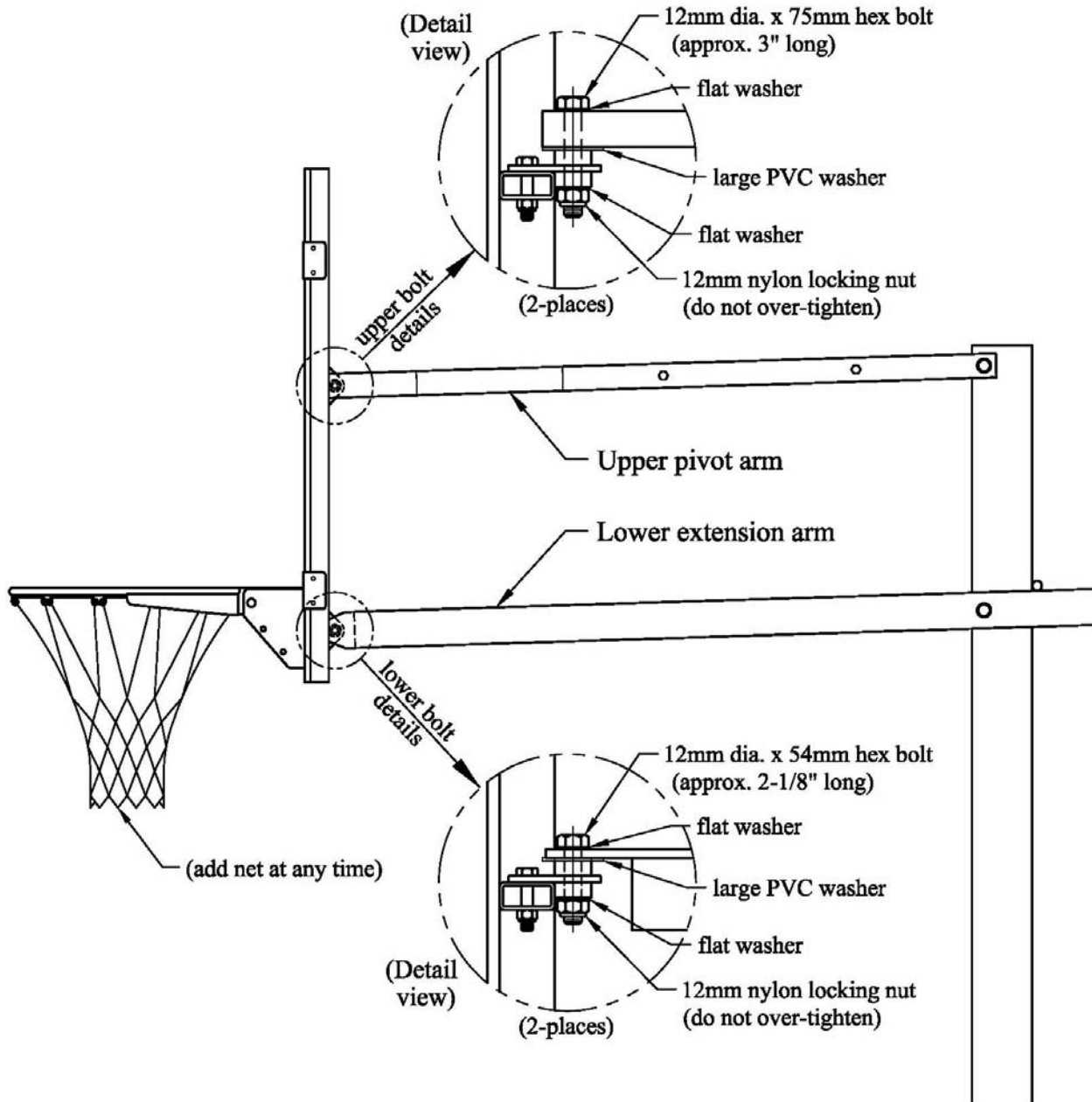


Ultra Champ Adjustable Basketball System

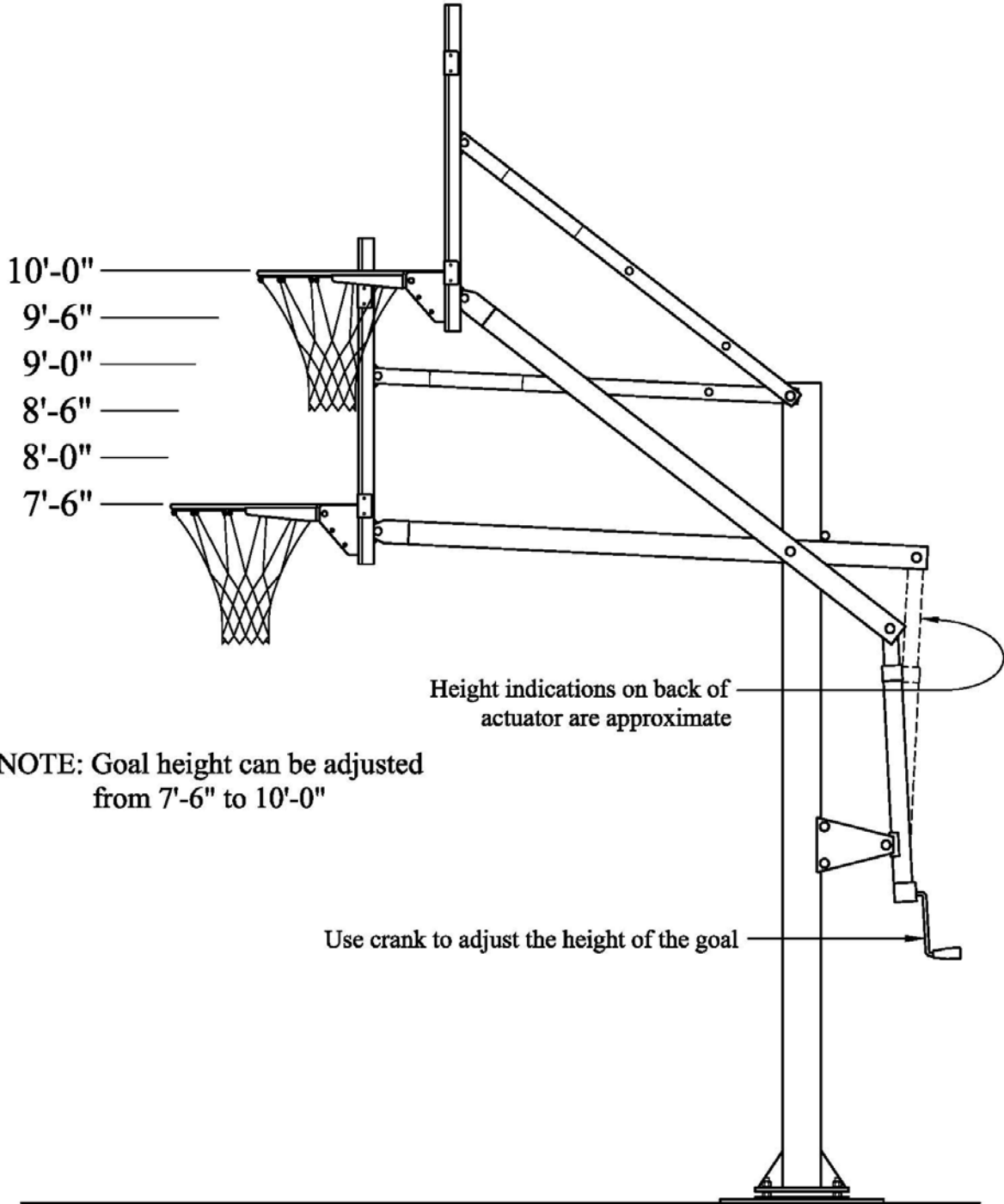


out of the bed of a truck which may provide a more stable base than ladders.

Make sure you have enough help to complete this operation safely!



Note: Height adjustment is continuously variable from 7'-6" to 10'-0"





Performance Sports Systems
9200 E. 146th Street
Noblesville, IN 46060

800-848-8034
www.perfsports.com



Gared Sports
707 North 2nd Street
St. Louis, MO 63102

800-325-2682
www.garedsports.com

Gared Holdings, LLC